

HWS.2

Handy Wire Scanner



The World's First, really contact-less, hand held optical micrometer to check wires, cables and other similar products



HWS.2 - Handy Wire Scanner is a fully portable optical micrometer for non-contact measurement of wires, cables and other similar products.

Developed by Aeroel with **LED and CCD technology**, it uses 2 crossed linear sensors to **automatically compensate positioning errors** (Patent pending).

Thanks to a powerful single chip microprocessor, the micrometer is linearized and compensated to obtain the **maximum precision** in the entire field of measurement, **regardless of an accurate positioning of the wire**.

The measurement is started by pressing the trigger and **takes only a few seconds**, the display provides the operator a '3D' visualization to place the wire in the useful measurement area and displays the measurement result.

All measurements are saved in the memory of the scanner, associated with the date, time and the number of machine: through the **integrated Wi-Fi** or a **USB cable**, data can be downloaded to any PC.

Through Wi-Fi it is possible to visualize and collect **in real time** the measurements, graphically displaying the trend of the lines.

The battery is charged via the USB connector with the supplied power supply; battery life, with micrometer always active, is approximately 4 hours.



AEROEL
MARPOSS

The scanner has been designed to fit into a special holder to be fixed on the machine, the holder contains a **tag that identifies the machine** and which is read by the instrument at the time of measurement.

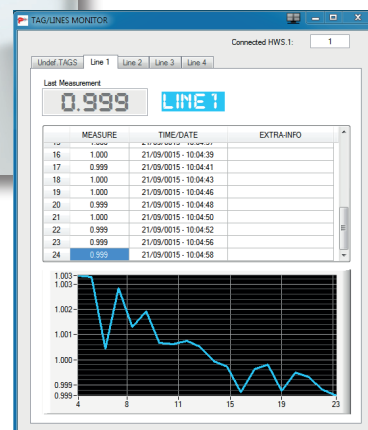
The support allows to easily and quickly place the scanner, also for the **measurement of moving products** and it guarantees maximum precision of measurement.

It is therefore possible, mounting a support on each line, **periodically monitor the production of all machines with just one micrometer!**

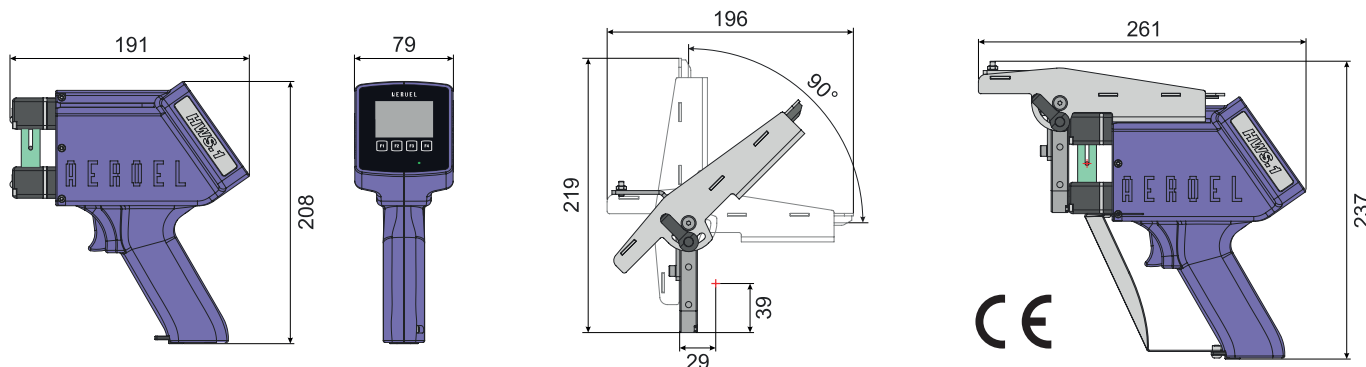
Various accessories are available, and also a **PC software** for displaying and managing measurement data (via Wi-Fi or USB).



PATENT PENDING



Specifications



Measuring Field	10 mm
Measurable Diameters	0.1 - 6 mm
Repeatability	1 μ m
Accuracy	2 μ m
Battery Life (working - Wi-Fi off)	4 h
Battery Life (working - Wi-Fi on)	3 h
Dimensions	191 x 208 x 79 mm
Weight	850 g



All dimensions are in mm.

www.aeroel.it
 Visit us in Internet; you will find all the latest information about Aeroel's products and service

www.youtube.com/aeroelsystems
 It is the channel with the video of Aeroel measurement system and application

AEROEL
 MARPOSS

