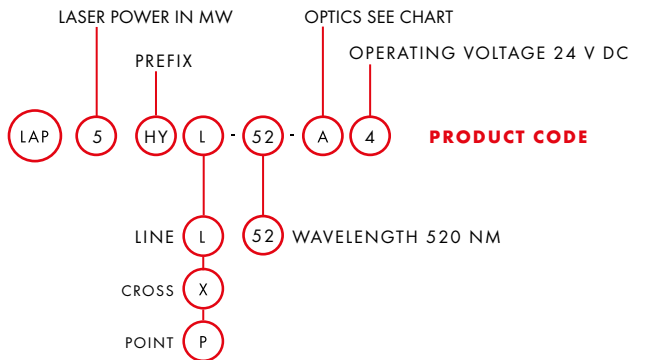


# DATA SHEET XtrAlign HY LASER



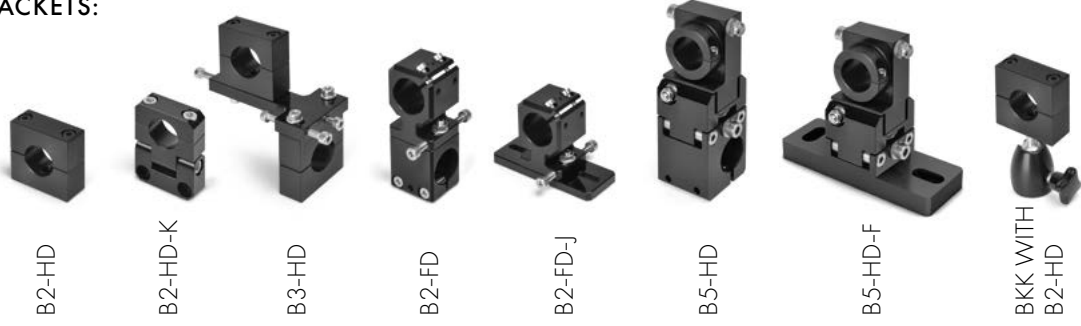
FEATURES	
Manually focusable	
Point, Line, Cross	
Dimmable laser power, extremely robust	
TECHNICAL DATA	
Laser type/Laser colour	diode/green
Wavelength	520 nm
Output power	1 ... 40 mW, dimmable
Divergence	0,5 mrad
Focus adjustment	manually, without tools
Operating Voltage	12 ... 30 V DC
Power consumptions	< 200 mA
Enclosure rating	IP 67
Shock resistance	IK10
Dimensions/Weight	L: 140 mm × ø 25 mm (front); 20 mm (back)/ 220 g
Power connector	M12, 4-core
Application conditions	-10 ... +40 °C, 35 ... 90 % rel. humidity, non condensing
MTTF	> 30.000 h at 25 °C

OPTICS		
Type	Beam type	Opening angle
A	Line	80°
B	Line	30°
C	Line	20°
D	Line	10°
E	Line	40°
K	Cross	38°
L	Cross	62°
P	Point	



## ACCESSORIES:

### BRACKETS:



### POWER SUPPLY:



### CONNECTOR:



### HEATSINK:



## LINE LASERS

Models	Output power	Line length <sup>(1)</sup> Optic 80° (A)	Laser class 80° (A)	40° (E)	30° (B)	20° (C)	10° (D)
LAP 1 HYL	1 mW	up to 1 m	1	1	1	1	1
LAP 3 HYL	3 mW	up to 2 m	1	1	2	2	2
LAP 5 HYL	5 mW	up to 4 m	1	2	2	2	2
LAP 10 HYL	10 mW	up to 6 m	2	2	2M	2M	2M
LAP 15 HYL	15 mW <sup>(3)</sup>	up to 10 m	2	2M	2M	2M	3R
LAP 30 HYL	30 mW <sup>(3)</sup>	up to 20 m	2M	3R	3R	3R	3R
LAP 40 HYL	40 mW <sup>(3)</sup>	up to 30 m	3R	3R	3R	3R	3R

## CROSSHAIR LASERS

Models	Output power	Line length <sup>(1)(2)</sup> Optic 38° (K)/62° (L)	Laser class 38° (K)	62° (L)
LAP 1 HYX	1 mW	60 cm/90 cm	1	1
LAP 3 HYX	3 mW	60 cm/90 cm	1	1
LAP 5 HYX	5 mW	60 cm/90 cm	1	2
LAP 10 HYX	10 mW	60 cm/90 cm	2	2
LAP 15 HYX	15 mW <sup>(3)</sup>	60 cm/90 cm	2	2
LAP 30 HYX	30 mW <sup>(3)</sup>	60 cm/90 cm	2M	2M
LAP 40 HYX	40 mW <sup>(3)</sup>	60 cm/90 cm	2M	2M

## POINT LASERS

Models	Output power	Laser class
LAP 1 HYP	1 mW	2
LAP 3 HYP	3 mW	3R
LAP 5 HYP	5 mW	3R
LAP 10 HYP	10 mW	3B
LAP 15 HYP	15 mW <sup>(3)</sup>	3B
LAP 30 HYP	30 mW <sup>(3)</sup>	3B
LAP 40 HYP	40 mW <sup>(3)</sup>	3B

<sup>(1)</sup>standard optics, line length depends on ambient light, height above surface, angle

<sup>(2)</sup>here: in 1 m distance, projection surface perpendicular to laser

<sup>(3)</sup>LAP bracket or heatsink required

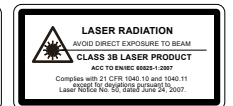
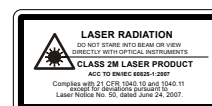
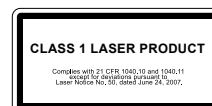
**LAP GmbH**  
**Laser Applikationen**

Zeppelinstrasse 23  
21337 Lueneburg  
Germany

Phone +49 4131 9511-95

Fax +49 4131 9511-96

Email [info@lap-laser.com](mailto:info@lap-laser.com)



[www.LAP-LASER.com](http://www.LAP-LASER.com)