

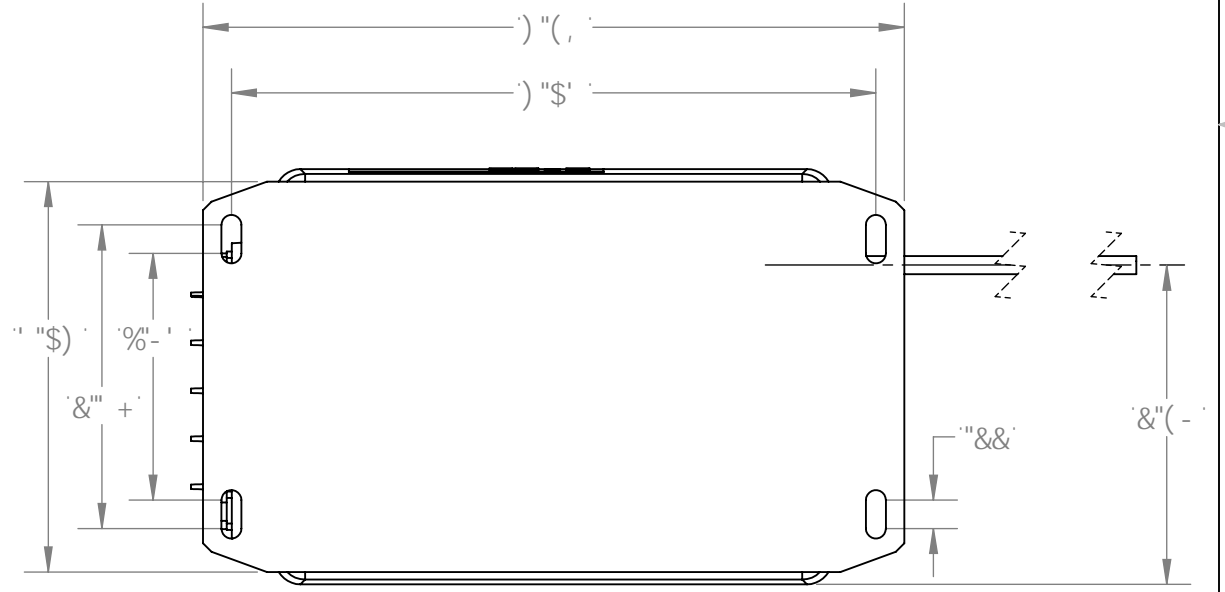
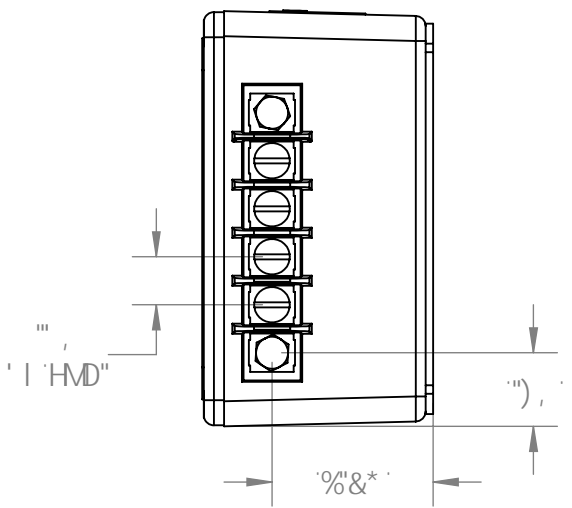
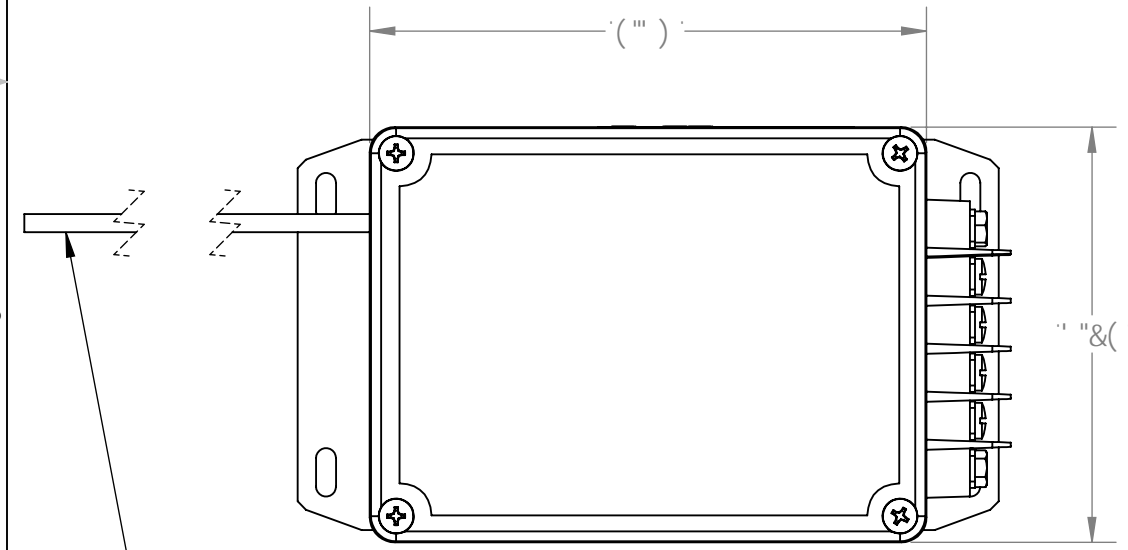
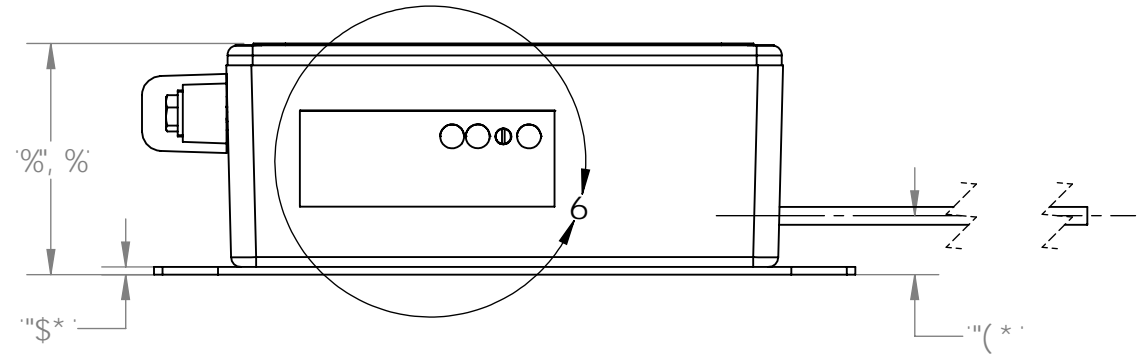
H-9 B: CFA 5HC B 7 C B H 5 B 9 8 B H K 6 8 F 5 K B: 6 H 9 GC @ DFC D 9 F H M C:  
 D < @ 9 7 B 7 5 B M F 9 D F C B 1 7 H C B B D 5 F H C F K < C @ K H C I H  
 H-9 K F H 9 8 D 9 F A G G C B C: D < @ 9 7 B 7 6 D F C < 6 H 9 8

F9J GC BG			
F9J "	8 9 G 7 F D H C B	8 5 H 9	5 D D F C J 9 8
8	B # 5 @ F 9 @ 5 G 9 C: ' G C @ 8 K C F ? G A C 8 9 @ / ' 8 F 5 K B; "	% # & # & \$ %	7 8 F



GBF 7 C B F C @

8 9 H 5 @ 6  
 G 7 5 @ 9 % . %



: 6 9 F C D H 7 7 5 6 @ 8 5 A 9 H D F Z  
 6 9 B 8 F 5 8 # G 5 B 8 @ B; H  
 8 9 H 9 F A B 9 8 6 M G 9 B G C F G 9 @ 9 7 H C B "

1 B @ 9 G C H K 9 F K @ 9 G D 9 7 @ 9 8.  
 8 A 9 B G C B G 5 F 9 B B 7 < 9 G  
 H C @ F 5 B 7 9 G  
 5 B: 1 @ 5 F. A 5 7 < ± % 6 9 8 8 ± ' °  
 : F 5 7 H C B 5 ± % # %  
 C B 9 D @ 5 7 9 8 9 7 A 5 @ ± % \$ %  
 H K C D @ 5 7 9 8 9 7 A 5 @ ± % \$ %  
 H F 9 9 D @ 5 7 9 8 9 7 A 5 @ ± % \$ %

**PHILTEC**  
 FIBER OPTIC SENSORS

D < @ 9 7 B 7 "	
5 B B 5 D C @ 9 2 A 8 8 % (-	
8 9 G 7 F D H C B.	
G 9 B G C F 5 A D @ 9 F Z 5 B 5 @ ;	
F 7 ! G 5 B 8 5 F 8	
D 5 F H, # 7 5 8 : @ 9 . "	F 9 J
<b>F 7 ! G 8 ! F Y j ' 8</b>	<b>8</b>
8 K : @ 9 .	F 7 ! G 8 ! F Y j ' 8
G < 9 9 H % C : %	

BC H 9 G f l B @ 9 G C H K 9 F K @ 9 G D 9 7 @ 9 8 L

% BC B 9

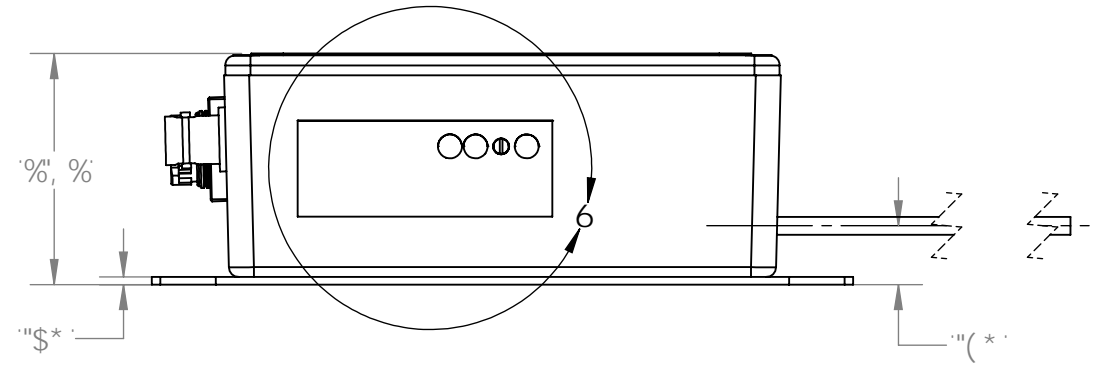
H-9 B: CFA 5HC B 7 C B H 5 B 98 B H K 6 8 F 5 K B: " G H 9 GC @ DFC D 9 F H M C:  
 D < @ 97 B 7 " 5 B M F 9 D F C B I 7 H C B " B D 5 F H C F " K < C @ K H C I H  
 H-9 K F H 9 B D 9 F A G G C B " C: D < @ 97 B 7 " 6 D F C < 6 4 9 8 "

F9J GC BG			
F9J "	8 9 G 7 F D H C B	8 5 H 9	5 D D F C J 9 8
:	B # 5 @ F 9 @ 5 G 9 C: ' G C @ 8 K C F ? G A C 8 9 @ / ' 8 F 5 K B: "	% # & # & \$ %	7 8 F

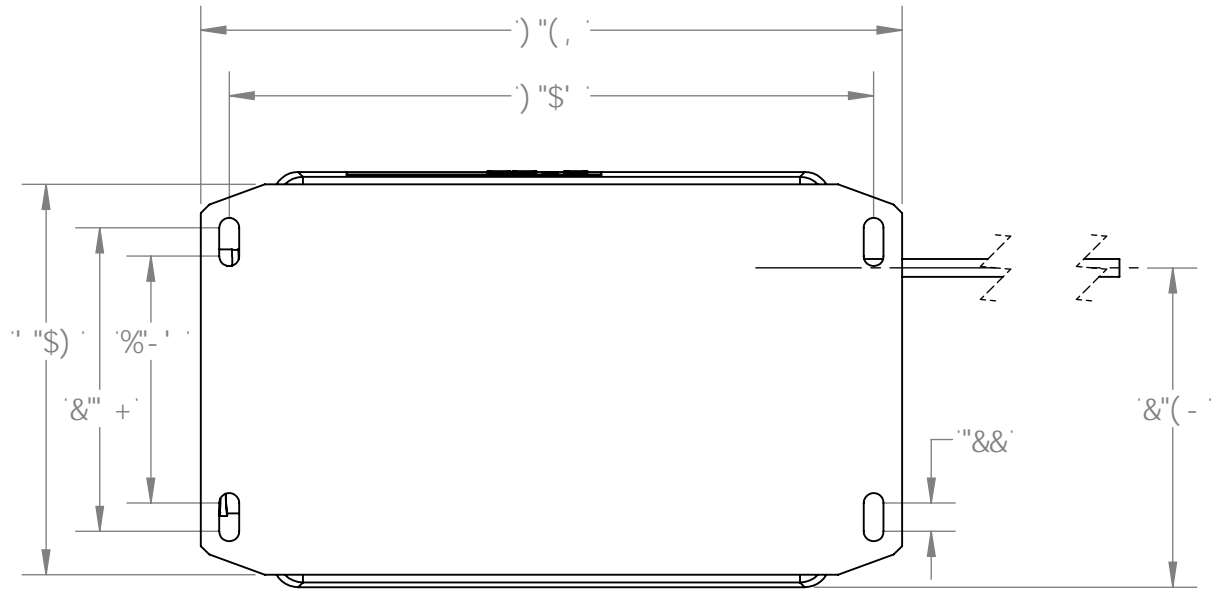
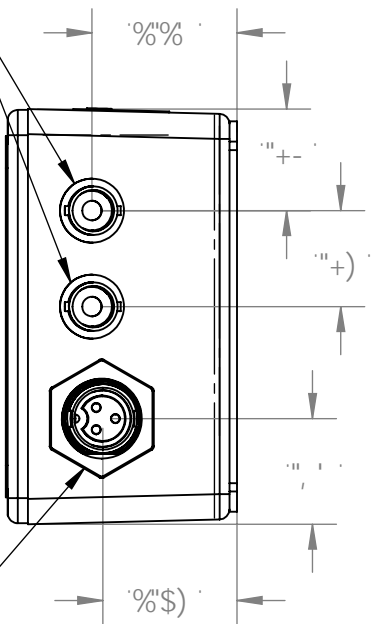
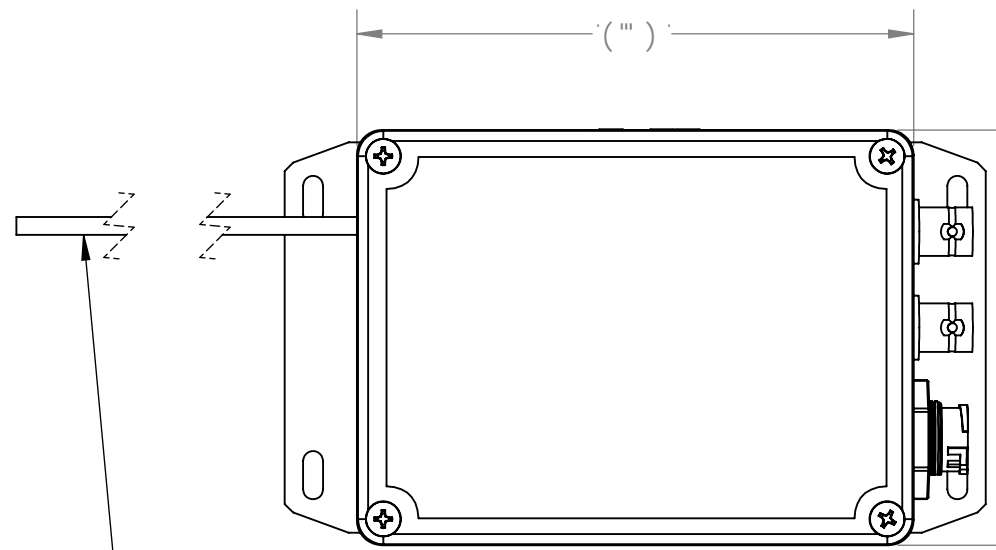


GBF 7 C B H C @

8 9 H 5 @ 6  
 G 7 5 @ % . %



D 9 ( \$ % ' 6 B 7 '  
 D 5 G H F B 5 7 ? ' B 7 "  
 & I ' H M "



: 6 9 F ' C D H 7 ' 7 5 6 @ 8 5 A 9 H F Z  
 6 9 B 8 ' F 5 8 + G 5 B 8 ' @ 9 B ; H '  
 8 9 H F A B 9 8 ' 6 M G 9 B G C F ' G 9 @ 9 7 H C B "

9 B ' D ' : L  
 G K # 7 < 7 F 5 : H B 7 "

BC H 9 G f i B @ G G C H K 9 F K @ 9 G D 9 7 = 9 8 L

% BC B 9

I B @ G G C H K 9 F K @ 9 G D 9 7 = 9 8 L  
 8 A 9 B G C B G 5 F 9 B ' B 7 < 9 G  
 H C @ F 5 B 7 9 G  
 5 B: I @ F . A 5 7 < ± % ' 6 9 8 8 ± ' °  
 : F 5 7 H C B 5 ± % # %  
 C B 9 D @ 5 7 9 8 9 7 A 5 @ ± % \$  
 H K C D @ 5 7 9 8 9 7 A 5 @ ± % \$  
 H F 9 9 D @ 5 7 9 8 9 7 A 5 @ ± % \$

**PHILTEC**  
 FIBER OPTIC SENSORS

	B 5 A 9	8 5 H 9
8 F 5 K B	7 8 F	% # & # & \$ %
7 < 9 7 ? 9 8	7 8 F	% # & # & \$ %

8 C B C H G 7 5 @ 9 8 F 5 K B ;

H K F 8 5 B : @  
 D F C > 9 7 H C B

D < @ 9 7 B 7 "  
 5 B B 5 D C @ 9 2 A 8 & ( \$ -

8 9 G 7 F D H C B .  
 G 9 B C F ' 5 A D @ : 9 F Z 5 B 5 @ ;  
 F 7 ! E

D 5 F H , # 7 5 8 : @ . "

F 9 J

F 7 ! E ! F Y j ;

8 K : " : @ .

F 7 ! E ! F Y j ; G < 9 9 H % C : %