

RECHNER SENSORS

custom-made level control for your industry

TiLevel

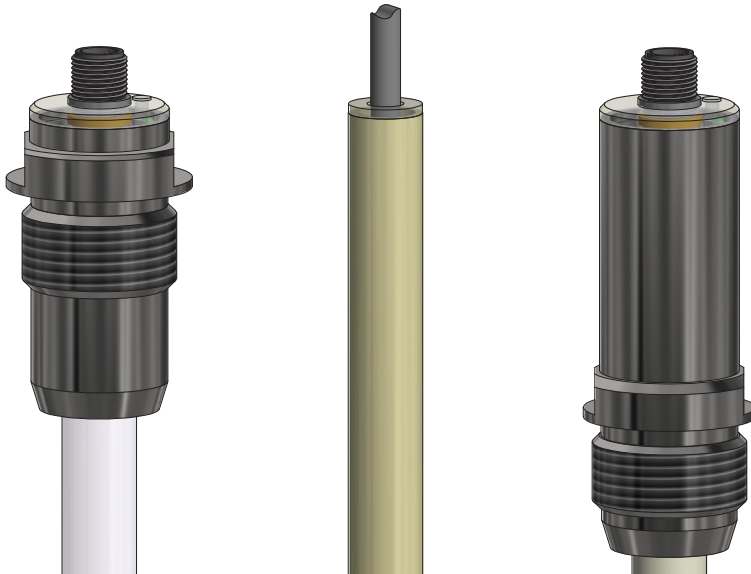


the future of automation. since 1965.



Optimized level probe

Continuous level measurement with one setting for all materials thanks to automatic compensation of the dielectric constants in a wide range from ϵ_r 1,5 bis 80.



FDA
conform

PEEK
FDA 21
CFR 177.2415
conform

PTFE
FDA 21
CFR 177.1550
conform

ET
EasyTeach

Simple adjustment

- via control line or by magnet
- with empty container

Analogue output (U , I)

Digital interfaces possible

Automatic compensation of the DC



Level probes

#KI0231

#KI0234

The Gamechanger '24

Material	ϵ_r value
Coffee beans	1,5
Metal powder	6,0
Water	80




Continuous level measurement of
**bulk goods,
powders and
liquids**

Our **innovation** solves your challenges in case of **product change** or (process-related) **change of media properties**

Saves time, as there is no need for recalibration when changing products.

Probe material: GKF, PEEK or PTFE
Probe dimensions: 100 - 2.000 mm
True to our motto
Custom-made level control for your industry
we **adapt** our probe to **your requirements**.

Setting with empty container:

-  no filling material necessary
-  no readjustment
-  because one setting for all media



Family business. Since 1965.

Rechner Industrie-Elektronik GmbH
68623 Lampertheim

rechner-sensors.com

RECHNER
SENSORS

© RECHNER Germany 11/2023