

monarch-



Triple-skin GRP barrel vault rooflights



SUPASAFE
High strength
glazing option
available

- Tough and durable GRP - unaffected by extremes of temperature
- Optional 'Supasafe' top sheets for applications where there may be a risk of mechanical damage
- 25 - 30 years life expectancy
- Suitable for low-pitched and flat roofs
- Out-of-plane design minimises risk of accidents
- Compliant with Building Regulations for fire safety

FILON[®]

Triple-skin GRP barrel vault rooflights

FILON Monarch-F factory assembled rooflights are designed for use on standing seam and secret fix roofing systems, continuous ridge applications and flat roofs. They are suitable for shallow roof pitches, flat roofs and curved roofs down to a minimum 25m radius.

Tough and durable

FILON Monarch-F rooflights are fabricated from high quality FILON GRP sheets which are robust, shatter resistant and unaffected by extremes of temperature. Long-term surface protection is provided by a UV absorbing film that is applied to the weather surface during manufacture.

Accelerated weather tests by an independent test laboratory under Clause 5 of BS EN 1013:1-1998 Part1 have classified FILON rooflights as follows:

Clause 5.2: Light Transmission – Category L₀

Clause 5.4 Variation of Yellow Index and Light Transmission after ageing procedure – Classification A₀

These are the highest classifications under this standard.

When used in applications where the rooflights may be subject to mechanical damage, Monarch-F rooflights can be specified with extra strong FILON Supasafe top sheets. These rooflights will remain durable and non-fragile for 25 to 30 years.

Out-of-plane design reduces risk of accidents

Monarch-F rooflights project above the plane of the roof. This is one of the primary recommendations of the HSE to reduce the risk of persons falling through the rooflight.

Excellent light diffusion

FILON GRP sheet scatters transmitted light, to ensure even light distribution without internal glare or excessive shadows. This makes Monarch-F rooflights ideal for all kinds of applications including areas where natural light is required for working spaces such as factories.



Fire resistant

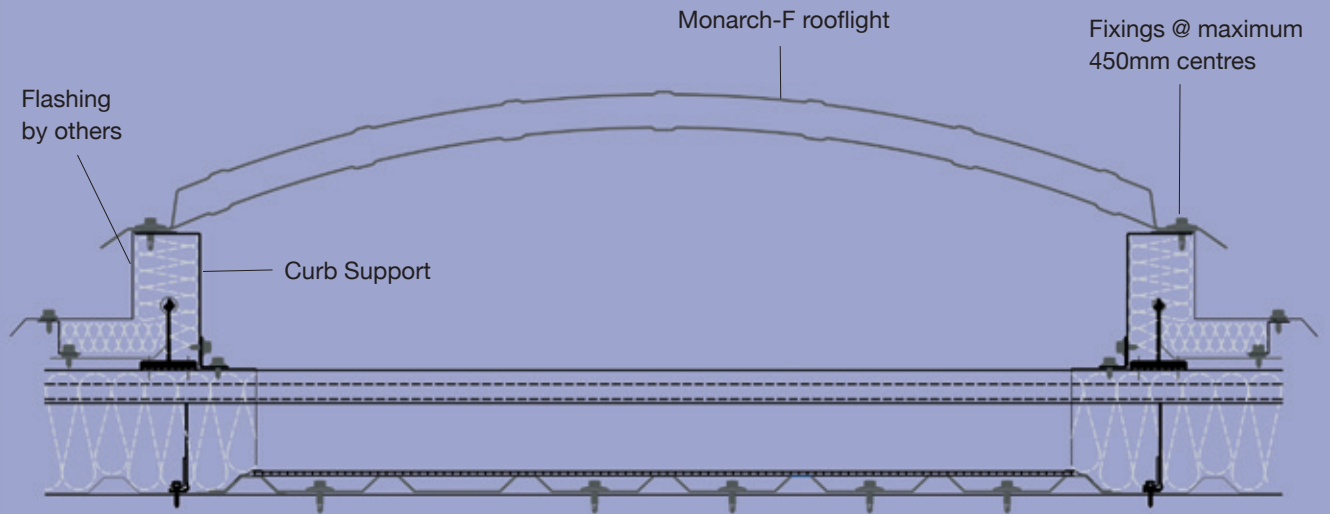
Monarch-F rooflights comply with the requirements of The Building Regulations for Fire Safety.

From the expert in GRP...

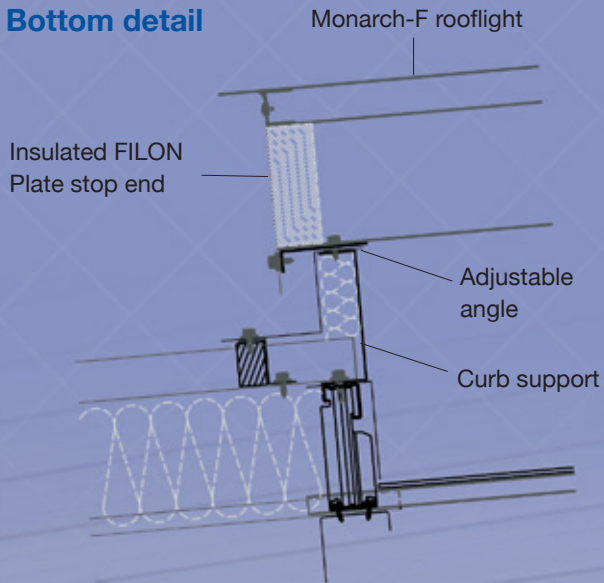
FILON Products has over fifty years experience in the manufacturing of Glass Reinforced Polyester (GRP) by continuous pultrusion to provide profiled and flat sheeting for internal and external use.

The outstanding durability, high strength and low weight of FILON sheeting has resulted in its use for rooflights, roofing and cladding in harsh environments, over-roofing, road sign plate, hygienic cladding, water treatment units and many other applications.

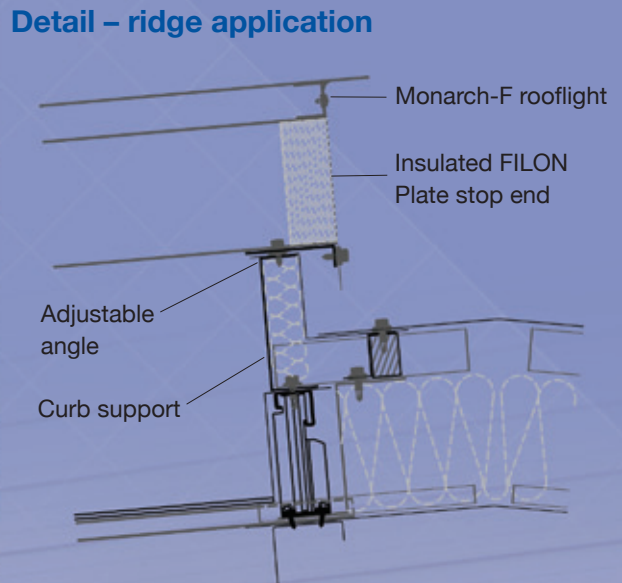
Typical cross section



Bottom detail



Detail - ridge application



Specification & installation information

Health & Safety

All rooflights and rooflight liners must be considered fragile until they are correctly fixed as recommended.

Roof works should be completed in accordance with the recommendations published in the Health & Safety Executive Guidance note HS (G) 33 'Safety in Roof Work'.

Roofs are dangerous places to work and it is recommended that the following information is included in the 'Health & Safety File' provided to the building owner.

No person should have access to a roof unless under the direct supervision of an experienced roofer who should be sufficiently competent to assess any risks and take the necessary action to reduce such risks. Although designed to be non-fragile when installed, foot traffic on rooflights may damage and weaken the sheets and is likely to damage the UV resistant protective coating, thereby reducing the life and translucent qualities of the sheet.

Do NOT walk on rooflights at any time. ALWAYS use crawling boards.

Design

To minimise risks to future maintenance personnel, it is recommended that rooflights should not be located adjacent to valley or boundary wall gutters or within 2m of exposed roof edges.

Handling and Storage

FILON Monarch-F rooflights are supplied on pallets. They should be stored in flat, clean areas and secured against theft, accidental damage and the risk of being blown away.

The rooflights should be stored under opaque covers, otherwise sheet stacks may act as solar batteries, boiling any moisture trapped between the sheets and potentially causing discolouration of the sheets. Inspect regularly to ensure that moisture has not penetrated the stack.

When carrying FILON Monarch-F rooflights, care must be taken not to twist them. They must be carried by at least two people, as illustrated. The appropriate PPE should be worn at all times.



Maintenance

FILON rooflights should be regularly cleaned with warm water and detergents to maintain light transmission.

The rooflights will remain structurally sound for at least 30 years. If required, the exposed surfaces of rooflights may be refurbished with a purpose-made coating to restore light transmission and prolong the life of the sheets.

Supply

FILON Monarch-F rooflights are manufactured to order and can be obtained from a nationwide network of distributors and contractors.

For further information, please contact our Sales or Technical Departments on +44 (0)1543 687300

FILON®

Filon Products Limited

Unit 3, Ring Road, Zone 2, Burntwood Business Park
Burntwood, Staffordshire WS7 3JQ, England

Tel: +44 (0)1543 687300 Fax: +44 (0)1543 687303

Email: sales@filon.co.uk

www.filon.co.uk

M.Monarch-F.03.12

FILON is a trademark of Filon Products Ltd.

Information and recommendations contained in this publication are given in good faith without warranty or guarantee. We are constantly seeking to improve our products and therefore reserve the right to alter specifications at any time.

No liability can be accepted for any claims, losses or demands arising from contents of this publication. This statement does not affect statutory rights which cannot be excluded by agreement.

