

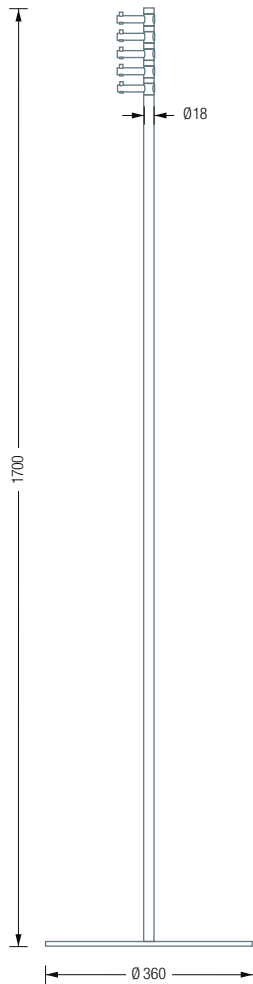


COAT STANDS

CLOAKROOM
SOLUTIONS

COAT STAND | TAKE 1

COAT STAND TAKE 1 T1 WITH GREY BASEPLATE

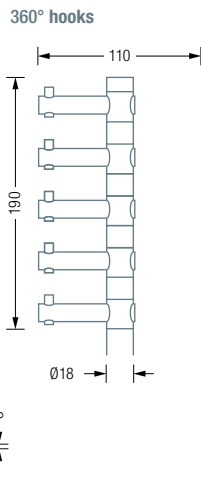


T1

Coat rack Take 1 with five hooks that can be rotated 360°. Hook elements and bar: solid stainless steel, hand-ground to a silky matt finish. With transparent, elastic floor protectors*. Connection of base plate to cloakroom element with self-locking M10 screw connection**. Base plate: steel, hard powder-coated with a light structure. The standard colour of the base plate is grey, RAL9007, other colours are available (see below), please specify when ordering.

Also Available as:

T1E – with solid, radially ground Stainless steel base plate.



See page 28 for optional umbrella stand extension
The base plate is available in the standard colour grey (RAL9007) and in other colours as well as in solid stainless steel (please specify when ordering)

Grey RAL9007	Stainless Steel	White RAL9010
Yellow RAL1004	Orange RAL2004	Red RAL3003
Green RAL6018	Blue RAL5011	Black RAL9011



GHE130 | GHE65

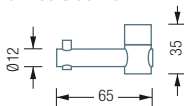
GHE65

Extension / alternative hook, length 65 mm, rotatable by 360°. Solid stainless steel, hand-ground to a silky matt finish.

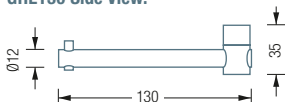
Also available as:

GHE130 – Long 130mm

GHE65 Side View:



GHE130 Side View:



* Material: Polyurethane. High chemical and thermal resistance with excellent abrasion and shear resistance. **Thread locking via micro-encapsulated thread bonding.



T1



STANDARD WARDROBE HELIX 10 FLOW GSTH10F WITH GREY BASE PLATE

COAT STAND HELIX 10 FLOW GSTH10FE
WITH STAINLESS STEEL BASE PLATE

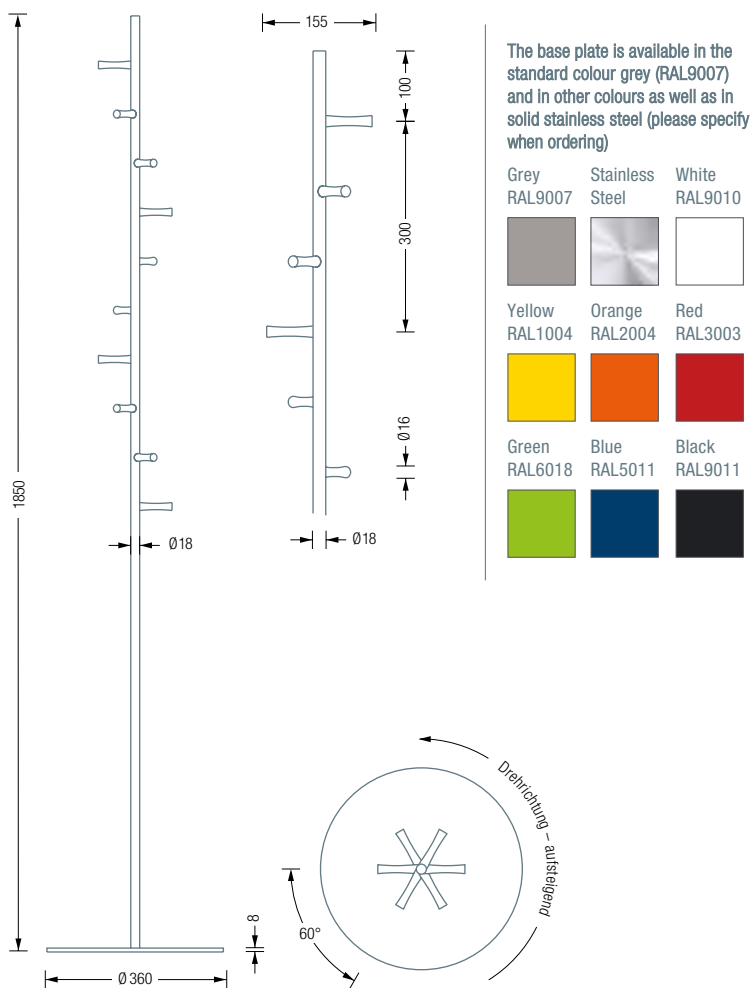
COAT STAND HELIX 10 FLOW

GSTH10F

Coat rack Helix 10 Flow with ten hooks arranged in a spiral with a flowing groove. Hook elements and rod: solid stainless steel, silky matt hand sanded. With transparent, elastic floor protectors*. Connection of base plate to cloakroom element with self-locking M10 screw connection**. Base plate: steel, hard powder-coated with a light texture. The standard colour of the base plate is grey, RAL9007, other colours are available (see below), please specify when ordering.

Also available as:

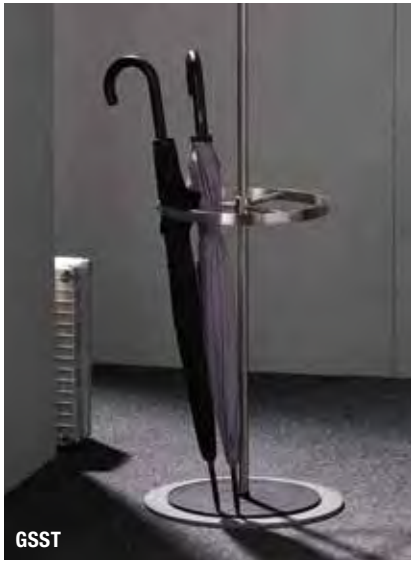
GSTH10FE – with solid, radially polished stainless steel base plate.



* Material: Polyurethane. High chemical and thermal resistance, with excellent abrasion and shear resistance.
 ** Thread locking via microencapsulated thread bonding.



COAT STAND HELIX 10 GSTH10 WITH GREY BASE PLATE | SHOE BENCH GSB1400-2



GSST

Optional umbrella stand extension GSST
see page 22

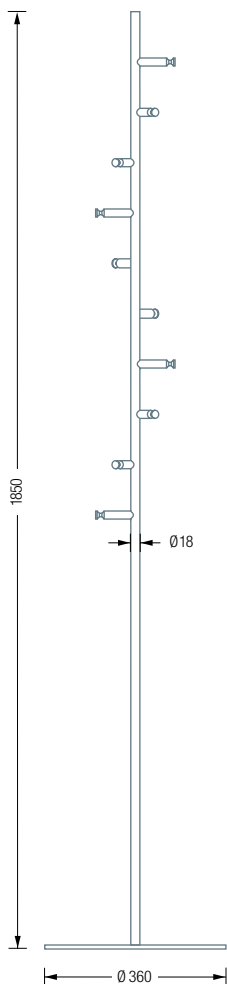


GSTH10E WITH STAINLESS STEEL BASE PLATE



GSTH10

COAT STAND | HELIX 10

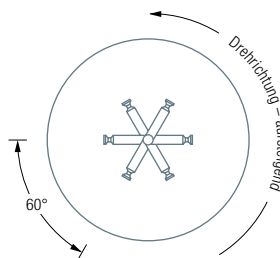
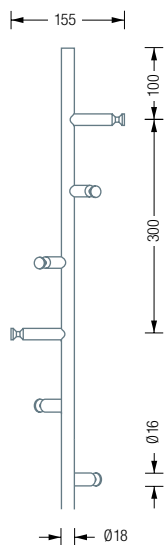


GSTH10

Coat stand Helix 10 with ten hooks arranged in a spiral with conical groove. Hook elements and bar: solid stainless steel, hand-ground to a silky matt finish. With transparent, elastic floor protectors*. Connection of base plate to cloakroom element with self-locking M10 screw connection**. Base plate: steel, hard powder-coated with a light texture. The standard colour of the base plate is grey, RAL9007, other colours are available (see below), please specify when ordering.

Also available as:

GSTH10E – with solid, radially polished stainless steel base plate.



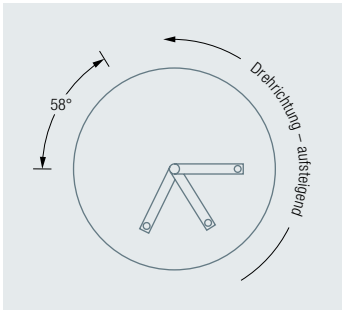
The base plate is available in the standard colour grey (RAL9007) and in other colours as well as in solid stainless steel (please specify when ordering)

Grey RAL9007	Stainless Steel	White RAL9010
Yellow RAL1004	Orange RAL2004	Red RAL3003
Green RAL6018	Blue RAL5011	Black RAL9011

*Material: Polyurethane. High chemical and thermal resistance, with excellent abrasion and shear resistance.

**Thread locking via micro-encapsulated thread bonding.





COAT STAND | HELIX 3V & 3S

GSTH3V

Coat rack Helix 3V with three spirally arranged hooks with concave milling. Hook elements and bar: solid stainless steel, hand-ground to a silky matt finish. With transparent, elastic floor protectors*. Connection of base plate to cloakroom element with self-locking M10 screw connection**. Base plate: steel, hard powder-coated with a light texture.

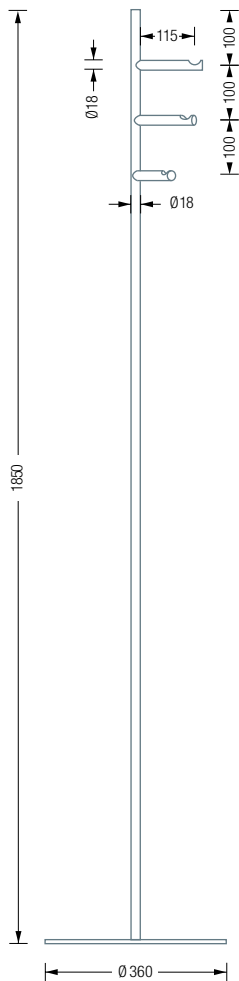
The standard colour of the base plate is grey, RAL9007, other colours are available (see below), please specify when ordering.

Also available as:

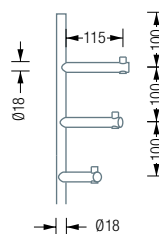
GSTH3VE – Helix 3V with solid, radially ground stainless steel base

GSTH3S – Helix 3S with three hooks with continuous pin and hard powder-coated base plate.

GSTH3SE – Helix 3SE with three hooks with continuous pin a solid, radially ground stainless steel base plate.



GSTH3S detail view:



The base plate is available in the standard colour grey (RAL9007) and in other colours as well as in solid stainless steel (please specify when ordering)

Grey RAL9007	Stainless Steel	White RAL9010
Yellow RAL1004	Orange RAL2004	Red RAL3003
Green RAL6018	Blue RAL5011	Black RAL9011

* Material: Polyurethane. High chemical and thermal resistance, with excellent abrasion and shear resistance.

**Thread locking via micro-encapsulated thread bonding.

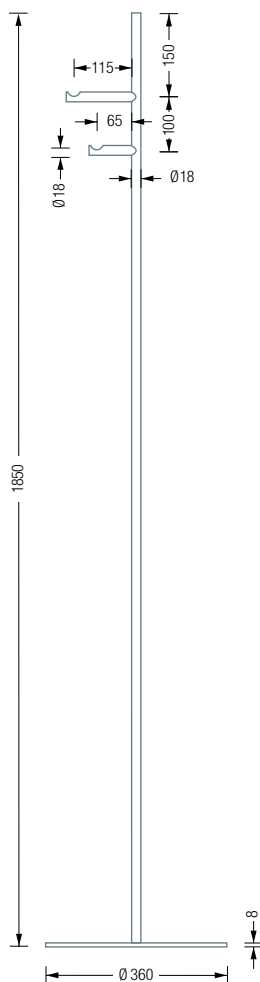


GSTS2S WITH GREY BASE PLATE



GSTS2V

COAT STAND | STRAIGHT 2V & 2S



GSTS2V

Coat rack Straight 2V with two hooks placed one below the other with concave milling. Hook elements and bar: solid stainless steel, hand-ground to a silky matt finish. With transparent, elastic floor protectors*. Connection of base plate to cloakroom element with self-locking M10 screw connection**. Base plate: steel, hard powder-coated with a light texture. The standard colour of the base plate is grey, RAL9007, other colours are available (see right), please specify when ordering.

Also available as:

GSTS2VE – Straight 2V with solid, radially ground stainless steel base plate.

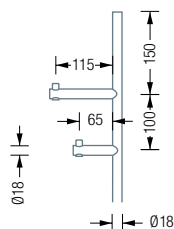
GSTS2S – Straight 2S with two hooks with a continuous pin and hard powder-coated base plate.

GSTS2SE – Straight 2SE with two hooks with a continuous pin and solid, radially ground stainless steel base plate.

The base plate is available in the standard colour grey (RAL9007) and in other colours as well as in solid stainless steel (please specify when ordering)

Grey RAL9007	Stainless Steel	White RAL9010
Yellow RAL1004	Orange RAL2004	Red RAL3003
Green RAL6018	Blue RAL5011	White RAL9011

GSTS2S Detail View:



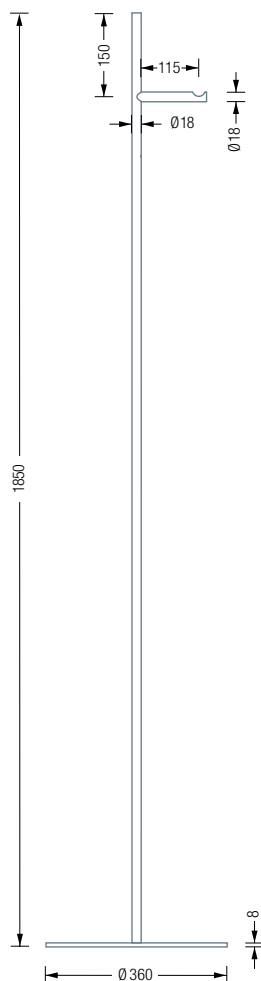
COAT STAND STRAIGHT 1V GSTS1V
WITH GRAY BASE





GSTS1S

COAT STAND | STRAIGHT 1V UND 1S



GSTS1V

Coat rack Straight 1V with a hook with concave milling. Hook element and rod: solid stainless steel, hand-ground to a silky matt finish. With transparent, elastic floor protectors*. Connection of base plate to cloakroom element with self-locking M10 screw connection**. Base plate: steel, hard powder-coated with a light texture.

The standard colour of the base plate is grey, RAL9007, other colours are available (see right), please specify when ordering.

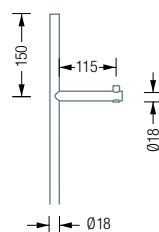
Also available as:

GSTS1VE – Straight 1V with solid, radially ground Stainless steel base plate.


GSTS1S – Straight 1S with a full pin hook and hard powder-coated base plate.

GSTS1SE – Straight 1S with a full hook and solid, radially polished stainless steel base plate.

GSTS1S detail view:



The base plate is available in the standard colour grey (RAL9007) and in other colours as well as in solid stainless steel (please specify when ordering)

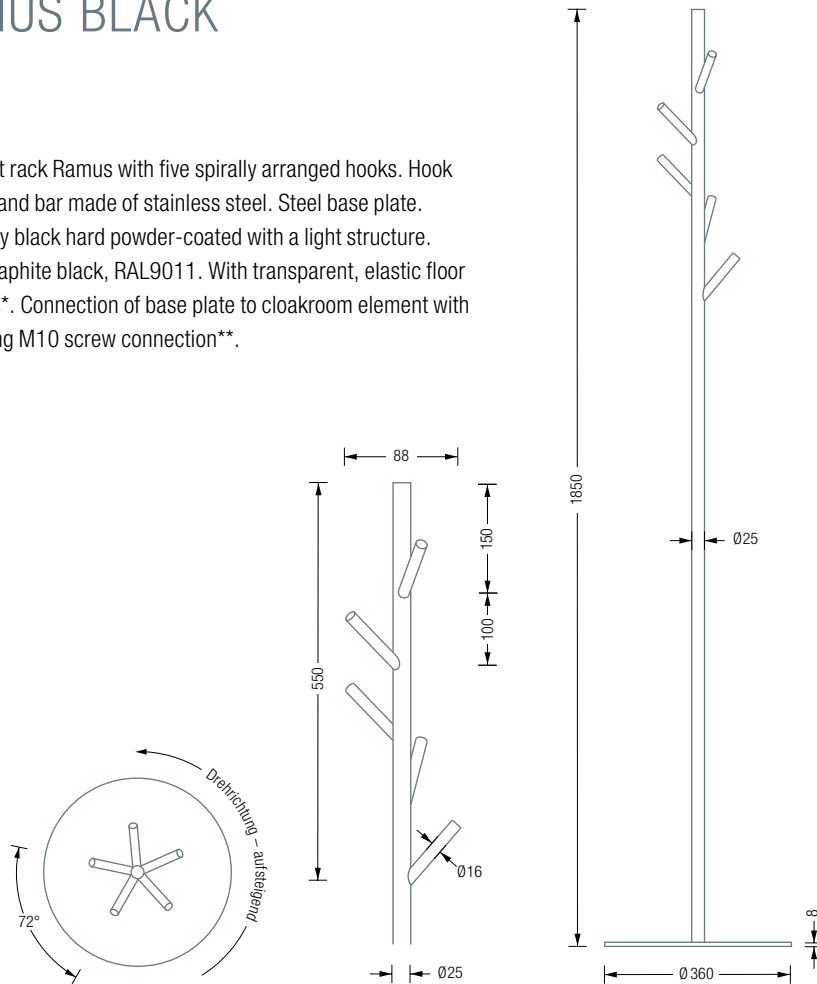
Grey RAL9007	Stainless Steel	White RAL9010
		
Yellow RAL1004	Orange RAL2004	Red RAL3003
		
Green RAL6018	Blue RAL5011	White RAL9011
		



COAT STAND RAMUS BLACK

GSTRS

Stand coat rack Ramus with five spirally arranged hooks. Hook elements and bar made of stainless steel. Steel base plate. Completely black hard powder-coated with a light structure. Colour: graphite black, RAL9011. With transparent, elastic floor protectors*. Connection of base plate to cloakroom element with self-locking M10 screw connection**.



* Material: Polyurethane. High chemical and thermal resistance, with excellent abrasion and shear resistance.

**Thread locking via micro-encapsulated thread bonding.



COAT STAND RAMUS GSTR WITH GRAY BASE PLATE

COAT STAND | RAMUS

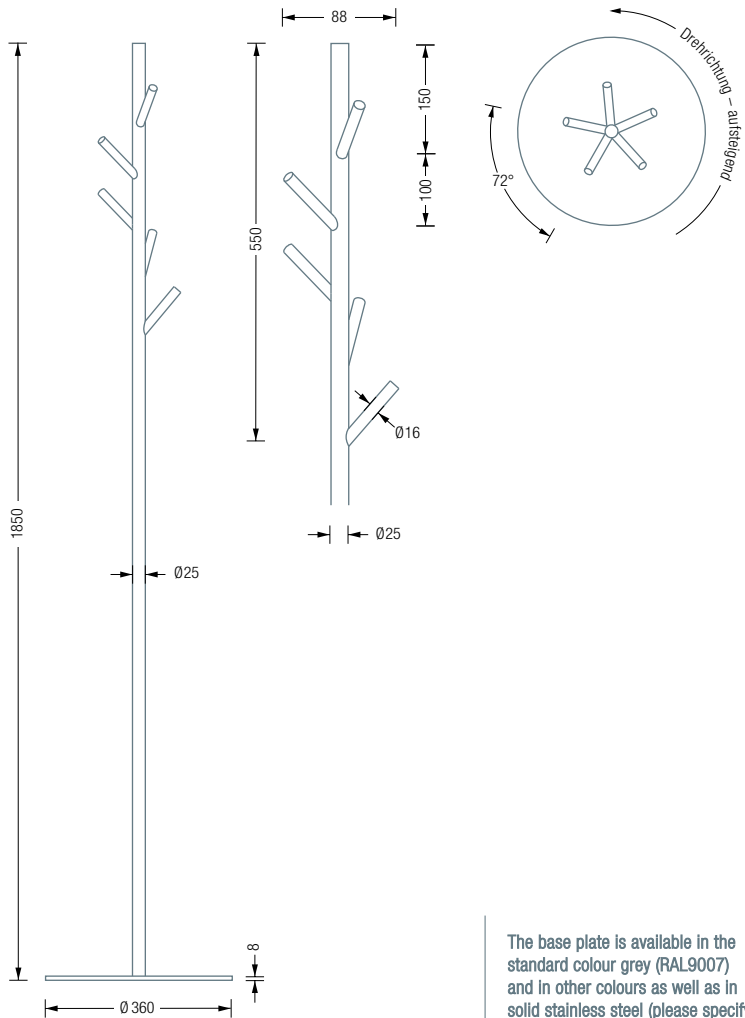
GSTR

Stand coat rack Ramus with five spirally arranged hooks. Hook elements and bar: stainless steel, hand-polished to a silky matt finish. With transparent, elastic floor protectors*. Connection of base plate to cloakroom element with self-locking M10 screw connection**. Base plate: steel, hard powder-coated with a light texture.

The standard colour of the base plate is grey, RAL9007, other colours are available (see below), please specify when ordering.

Also available as:

GSTRE – with solid, radially polished stainless steel base plate.



The base plate is available in the standard colour grey (RAL9007) and in other colours as well as in solid stainless steel (please specify when ordering)

Grey RAL9007	Stainless Steel	White RAL9010
Yellow RAL1004	Orange RAL2004	Red RAL3003
Green RAL6018	Blue RAL5011	Black RAL9011



GSTR-BPGe WITH YELLOW BASE PLATE

* Material: Polyurethane. High chemical and thermal resistance, with excellent abrasion and shear resistance.

**Thread locking via micro-encapsulated thread bonding.



COAT STAND RAMUS GSTR-BPR WITH RED BASE PLATE





GSTSR | KB2



GSTSHE WITH STAINLESS STEEL BASE PLATE

COAT STAND | SORBUS

GSTSH

Sorbus coat rack with continuous clothes rail and two coat hooks at the end.

Hook element and rod: stainless steel, hand-polished to a silky matt finish. With transparent, elastic floor protectors*. Connection of base plate to cloakroom element with self-locking M10 screw connection**. Base plate: steel, hard powder-coated with a light structure. The standard colour of the base plate is grey, RAL9007, There are other colours to choose from (see right), please specify when ordering.

Also available as:

GSTSHE – with solid, radially polished stainless steel base plate.

GSTSR – with notched crossbar for 6 hangers and hard powder-coated base plate.

GSTSRRE – with notched crossbar for 6 hangers and solid, radially ground stainless steel base plate.

The base plate is available in the standard colour grey (RAL9007) and in other colours as well as in solid stainless steel (please specify when ordering)

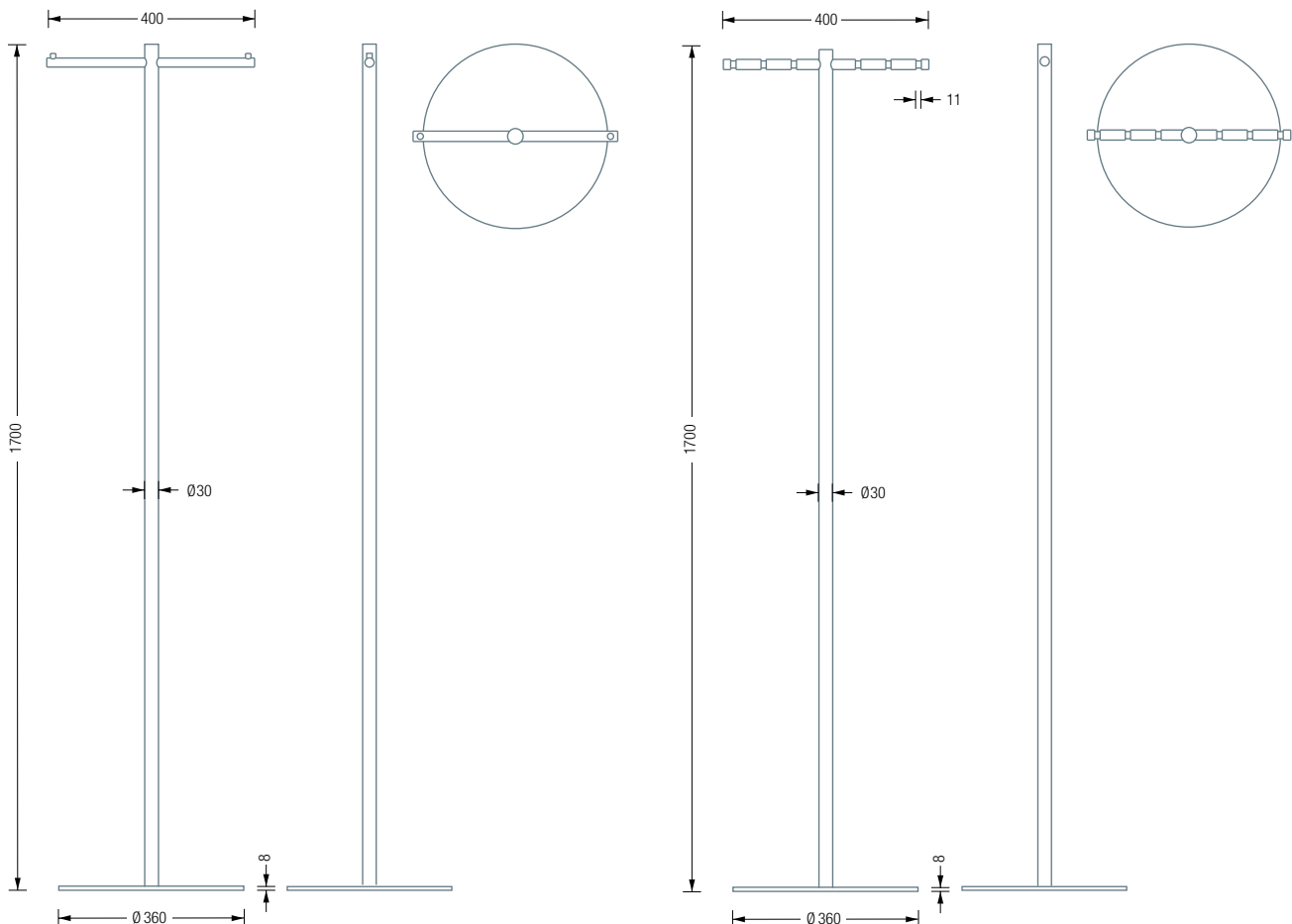
Grey RAL9007 Stainless Steel White RAL9010



Yellow RAL1004 Orange RAL2004 Red RAL3003



Green RAL6018 Blue RAL5011 Black RAL9011



* Material: Polyurethane. High chemical and thermal resistance, with excellent abrasion and shear resistance.

**Thread locking via micro-encapsulated thread bonding.





COAT STAND CIRCLE GSTC WITH GRAY BASE PLATE HANGER KB2 |
SHOE BENCH GSB1400-2

COAT STAND CIRCLE

The base plate is available in the standard colour grey (RAL9007) and in other colours as well as in solid stainless steel (please specify when ordering)

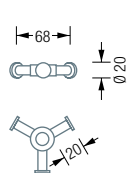
Grey RAL9007	Stainless Steel	White RAL9010
Yellow RAL1004	Orange RAL2004	Red RAL3003
Green RAL6018	Blue RAL5011	Black RAL9011

GSTC

Circle coat rack with coat hanger ring and height-adjustable, star-shaped coat hook ring with three bar-shaped hooks. Also optionally available in a version with shorter coat hooks, ideal for bags, for example. Hook elements and bar: solid stainless steel, hand-ground to a silky matt finish. With transparent, elastic floor protectors*. Connection of base plate to cloakroom element with self-locking M10 screw connection**. Bottom plate: Steel, hard powder coated with a light texture. The standard colour of the base plate is grey, RAL9007, other colours are available (see left), please specify when ordering.

Also available as:

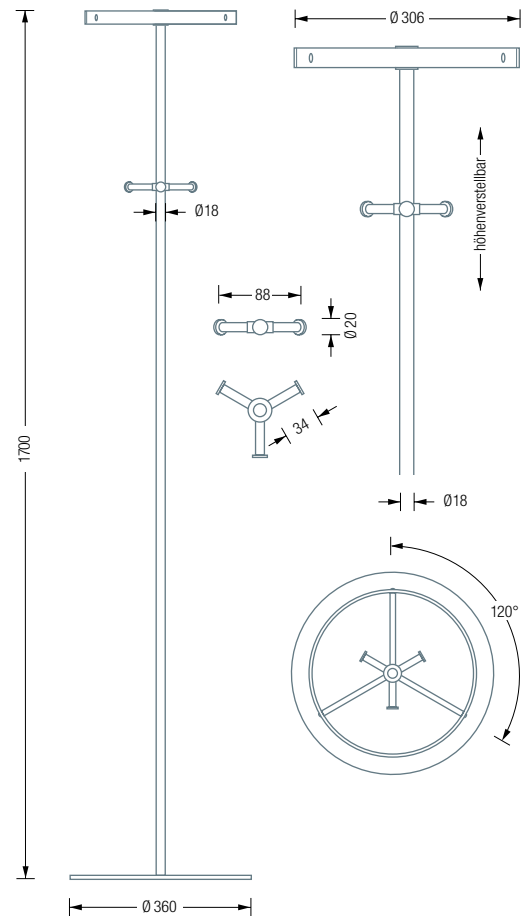
GSTCE – with solid, radially polished stainless steel base plate.



GSTCH

Optional hook element with three shorter bar-shaped hooks.

Freely positionable in height. Solid stainless steel, hand-ground to a silky matt finish.



UMBRELLA STAND | EXTENSION

GSST

Umbrella stand extension for coat stand Circle, with all-round, three-part stainless steel ring and

Safety mat made of black silicone***. umbrella stand Ring made of solid stainless steel, hand-polished with a silky matt finish.

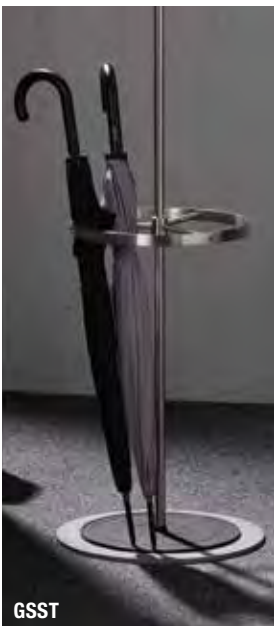
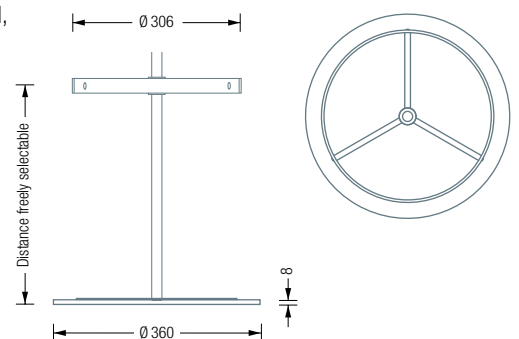
With transparent, elastic floor protectors*.

Connection of base plate to cloakroom element with self-locking M10 screw connection**.

Base plate: steel, hard powder coated with light Structure. The standard colour of the bottom plate is grey, RAL9007, there are other colours to choose from (see below), please specify when ordering.

Also available as:

GSSTE – with solid, radially polished stainless steel base plate.



GSST

*Material: Polyurethane. High chemical and thermal resistance, with excellent abrasion and shear resistance.

**Thread locking via micro-encapsulated thread bonding.

***Material: MVQ silicone rubber, hardened. UV and weather resistant, abrasion resistant and cleanable up to +100°.



CLOAKROOM SOLUTIONS LTD
info@cloakroomsolutions.co.uk
020 3011 1014
cloakroomsolutions.co.uk