

B & W

Plant Hire and Sales Ltd

Catalogue



Give Our Team A Call Today:

BLACKBURN: 01254 54294 **KEIGHLEY:** 01535 663337
NORTHWICH: 01606 43916 **SOUTHAMPTON:** 02380 696080
HEAD OFFICE ACCOUNTS: 01254 680057
www.bandwplanthire.com

Contents

THE TEAM	Page 3
ALL ABOUT US	Page 4
OPERATED MACHINERY	Page 5
EXCAVATORS	Pages 6-10
MACHINE ATTACHMENTS	Pages 11-13
DUMPERS	Pages 14-16
SPECIALISED DUMPERS & BOBKAT SKID STEER	Page 17
COMPACTION EQUIPMENT	Pages 18-19
AVANT WHEELED LOADERS	Page 20
TELEHANDLERS	Pages 21-24
SITE EQUIPMENT & COMPRESSORS	Pages 25-27
TRENCH SHORE EQUIPMENT	Pages 28-30
DEPOT LOCATIONS	Page 31
SEE WHAT OUR CUSTOMERS SAY ABOUT US	Page 32-33
AFFILIATE MEMBERSHIPS & ACCREDITATIONS	Pages 34
NOTES AND APPLICATION FORM	Pages 35-37



Senior Team:

Will Whitwell - Managing Director
Andrew Partington - Operations Manager: 07976 068 374
James Porter - Commercial Manager: 07989 403 888

Will@bandwplanthire.co.uk
Andrew@bandwplanthire.co.uk
James@bandwplanthire.co.uk

Blackburn Depot: 01254 54294

Chris Nuttall - Operated Plant Coordinator: 07979 927 959
Daniel Quinn - Hire Desk Controller
Lee Fenton - Sales Representative: 07493 865 515

Chris.nuttall@bandwplanthire.co.uk
Daniel.quinn@bandwplanthire.co.uk
Lee.fenton@bandwplanthire.co.uk

Keighley Depot: 01535 663337

Dave Leyland - Depot Manager: 07973 240 955
Jim Windass - Sales Representative: 07973 517 937

Dave.leyland@bandwplanthire.co.uk
Jimw@bandwplanthire.co.uk

Northwich Depot: 01606 43916

Dan Ratcliffe - Depot Manager: 07493 865 534
Jaymi-Lea Heard - Hire Desk Controller
Neil Gamester - Sales Representative: 07833 046 981

Dan.ratcliffe@bandwplanthire.co.uk
Jaymi-lea@bandwplanthire.co.uk
Neil.gamester@bandwplanthire.co.uk

Southampton Depot: 02380 696080

Nick King - Depot Manager: 07493 865 498
John Woolley - Sales Representative: 07969 146 667

Nick.king@bandwplanthire.co.uk
Johnw@bandwplanthire.co.uk

Head Office/Accounts: 01254 680057



**WORLD
LAND
TRUST™**

www.carbonbalancedpaper.com
Reg. No. 2113

B and W Plant Hire and Sales Ltd

B&W was formed in 1994 by Bill Whitwell, the company is now over 20 years old and during this time it has become one of the country's leading, privately owned plant hire companies.

Business Plans...

B&W continued to expand the fleet of plant during the past three years due to customer demands: we have also extensively refreshed the existing hire fleet and we intend to continue investing in the near future with orders placed for in excess of £4m of new equipment.

Blackburn, Keighley, Northwich and Southampton depots have continued to grow in size, which we feel is a testament to the level of service we offer our customers and also due to creating a trusting partnership with our clients.

All the very best.

Bill & Will





Over the past two years B & W have expanded our fleet of experienced operator drivers, with Chris Nuttall taking over the role as Operated Plant Coordinator. Chris now works with a team of over 40 experienced operators who all have CSCS cards for excavators, dumpers, rollers and telescopic handlers.

Our drivers have recently worked on the expansion of the Anfield stadium, the Wrexham super prison and various new housing developments across the North-West.

For hourly rates and availability please contact Chris on:

07979 927959 or
01254 54294

Email:
Chris.nuttall@bandwplanthire.co.uk

B&W Plant Operator Comments:

I have worked for B&W plant hire for a number of years during which time I have enjoyed the varied interesting projects that I have been a part of.

As a valued member of the team I have found Chris Nuttall very helpful, flexible and approachable.

B&W have invested heavily over the last few years in new plant, which are well maintained by our excellent team of fitters; which in return makes the job more enjoyable and most importantly safer for myself and other workers around me.

(Gary Brown, November 2016)



0.8T EXCAVATOR

Super-compact. Highly reliable. The efficient Kubota K008-3, with enhanced operator protection, is the super mini-excavator of choice for tough jobs where space is limited.

Product Code	M1
Weight	825kg
Dig Depth	1680mm
Width (Expanding Track)	705-900mm
Height	2230mm

1.5T EXCAVATOR

With auxiliary hydraulic ports as a standard feature, this compact excavator is small but boasts great ease of operation.

On top of its operator-conscious design, this high-tech machine is user and environmentally friendly and meets international standards.



Product Code	M1.5	M1.5
Weight	(cab) 1800kg	(canopy) 1660kg
Dig Depth	2135mm	2375mm
Width	980mm	980-1300mm
Height	2280mm	2280mm



Please see page 11-13 for all the attachments available for the machines above.

3T EXCAVATOR

Compact stylish mini excavator designed for powerful dig performance with massive operating capacity in a compact sized machine.

Designed for maximum operator comfort features include adjustable seat and arm rests, increased foot room and good all round visibility.

Product Code	M3
Weight	2900kg
Dig Depth	2875mm
Width	1450mm
Height	2445mm



5T EXCAVATOR

This compact excavator has become a standard for its class-leading digging performance.

The tilt-up operator's platform is very popular for the easy service access it provides, while the suspension seat offers maximum comfort for the operator, cab models come standard with heat and air conditioning.

Product Code	M5
Weight	4980kg
Dig Depth	3800mm
Width	2000mm
Height	2600mm

Please see page 11-13 for all the attachments available for the machines above.



9T EXCAVATOR

The TB290 meets the growing demand for a compact Takeuchi operating in the 8-10 tonne weight class. Complete with a new turbocharged engine that develops more power and greater torque along with a well proven, high performance hydraulic system with improved power, cycle times and efficiency the new TB290 is a top of the range high specification excavator built for discerning operators and high quality plant hire.

Product Code	M7
Weight	8800kg
Dig Depth	4590mm
Width	2245mm
Height	2570mm

13T EXCAVATOR

The ZAXIS 130 provides the perfect combination of a high level of performance with low fuel consumption. The powerful new model's digging and lifting capabilities have been increased, and its precise and smooth operation is guaranteed by the enhanced hydraulics.

Product Code	M13
Weight	12960kg
Dig Depth	6060mm
Width	2690mm
Height	2750mm



Please see page 11-13 for all the attachments available for the machines above.

20T EXCAVATOR

The DX225LC-3 is designed to provide you with the best possible working conditions. The sophisticated pressurised ROPS cab is ISO-certified for your safety. Its spacious interior offers a fully adjustable, heated air suspension seat. Comfortably seated, you have easy access to several storage compartments and a clear all-round view of the worksite. Noise and vibration levels have been reduced while air conditioning and automatic climate control allow you to maximize your productivity.

Product Code	M20
Weight	21900kg
Dig Depth	6585mm
Width	2990mm
Height	3005mm



30T EXCAVATOR

If you are looking for more productivity and comfort, less fuel consumption and emissions, easier and more sensible serviceability, you will find it in the all-new ROBEX 300LC-9A

Product Code	M30
Weight	30000kg
Dig Depth	14800mm
Width	2990mm
Height	3010mm

Please see page 11-13 for all the attachments available for the machines above.

35T EXCAVATOR

The new DX340LC-3 is strong and robust enough to tackle your most demanding jobs, yet kind to the environment and your pocket. Keep profits up and costs down with a range of new features.

Product Code	M34
Weight	34400g
Dig Depth	6670mm
Width	3280mm
Height	3125mm



40T EXCAVATOR

The Doosan DX380LC-3 offers very high performance and fuel efficiency. This machine takes even the heaviest tasks in its stride with efficient, dependable performance that saves you time and money. The excavator is intended to handle a broad range of applications such as heavy earthmoving and large scale material-handling.

Product Code	M40
Weight	37650g
Dig Depth	7535mm
Width	3350mm
Height	3320mm

Operators are available with all our machines. All our operators come with CSCS cards and vast experience in the construction trade.

Please see page 11-13 for all the attachments available for the machines above.

STANDARD DELIVERY SPECIFICATION

1. All excavators 1.5T - 5T are fit with manual quick hitches and the appropriate safety stickers.
2. All 13T or larger excavators are fitted with fully automatic quick hitches and vandal guards.
3. Certification and operators manuals delivered with all excavators.

SPECIAL REQUIREMENTS

1. Chalwyn valves
2. Spark arrestors
3. Fire extinguishers and spill kits
4. Exhaust purifier
5. Green beacons
6. Trackers



HYDRAULIC BREAKERS

Available for all sizes of excavators from our fleet.



DIGGING CLAMSHELL

Available for 13-21 tonne excavators, this powerful hydraulic attachment will deal with most ground conditions and is ideal for road construction and civil engineering applications.



AUGERS

Used in construction, fencing and landscaping industries as the efficient attachment of choice for drilling accurate post holes in all types of ground.



VIBRATORY PLATE COMPACTORS

An efficient and consistent solution for compacting in trenches, slopes or for general compaction. Powerful vibration forces, via eccentric plate action generates stress waves in granular or loose soil material which forces air to the surface and creates tighter compaction.



RIDDLE BUCKETS

Our riddle buckets provide a simple but effective solution to sorting and processing a variety of site materials. Use this attachment for separating brick, debris, concrete, stone or even to separate vegetation or contaminants from top soil. Useful for general recycling purposes.

All attachment rates are POA.



SPECIALIST SAFETY EQUIPMENT

Chalwyn valves, spark arrestors, particulate filters and fire extinguisher

These safety products for diesel engines are required to operate either in hazardous areas which combustible gas, vapours or dust may exist, or in situations demanding special safety precautions.



HEAVY DUTY RIPPER TEETH

An essential piece of kit available for all excavators. The ripper teeth makes light work of hard or rocky ground. Ripping ground prior to digging will greatly reduce wear and stress on both bucket and machine.



360 MULTI PROCESSOR

With interchangeable jaws the multi processor is capable of shearing through steel beams or pulverising concrete. Ideal for primary demolition or secondary reduction of reinforced concrete.



POST DRIVER / KNOCKER

Our post drivers make light work of driving fence post into the ground. This attachment makes a back breaking job almost effortless.



VIBRATING SHEET PILE DRIVERS

Suitable for 5-21 tonne excavators, vibrates pile in and pulls pile out with a universal joint for accurate pile positioning. A slim design to drive single piles, minimal height maximises pile length.

All attachment rates are POA.



BRICK GRAB

The brick grab is designed to lift brick loads. The jaws are fitted with rubber pads to minimise damage to loads and the grab is fitted with an automatic “open/closed” device that enables a single operator to stack or un-stack loads.



BRICK FORKS

Our brick forks increase the versatility of our telehandlers enabling the operator to utilise a machine on site for unloading bricks.



TIPPING SKIPS

Our standard tipping skips are designed to help keep working areas clear and allow safe and speedy removal of scrap, waste or rubbish to the appropriate skip or waste container.



MAN BASKET

Fork Mounted Fixed Back Man Riding Access Platform is a safer alternative to ladders at a lower cost than scaffolding. Harness rails fitted as standard, with positive locking to forks. Where gates are fitted, gate locks operate automatically when platform is raised.



JIB EXTENSION

The extension jib further increases lift and reach with a hook. Using this attachment, the telescopic handler can position loads in places which are difficult to access by conventional means.



ROAD SWEEPER

Heavy duty construction road sweeper with powerful direct drive motor and lock down facility to adjust the depth of cut. Supplied 50/50 with wire and polypropylene segments and large diameter shafts and bearings for long trouble free life. Optional bolt on reversible cutting edge

All attachment rates are POA.

A dumper is used for transporting loose material (such as sand, gravel, or dirt) for construction. A typical dumper is equipped with a hydraulically operated open-box bed hinge at the rear, the front of which can be lifted to allow the contents to be deposited on the ground and they can tow equipment such as water bowsers around construction sites.

1T HIGH TIP

A dumper that can handle the most difficult operating conditions thanks to their robust design. These site dumpers deliver exceptional power when needed and can access the narrowest of construction sites.

Product Code	D1
Weight	1440kg
Height with Roll bar/ without	2480mm /1750mm
Discharge	1590mm
Length	2960mm
Width	1120mm
Load capacity	1000kg



3T DUMPER

The 3 tonne compact dumper is one of our most popular models with standard features of four wheel drive, hydraulic tip seat belts and towing eye.

Product Code	D3
Weight	2260kg
Height with Roll bar/ without	2680mm /1860mm
Length	3750mm
Width	1950mm
Load capacity	3000kg





6T DUMPER

The 6 tonne dumper is the perfect solution on larger sites with four wheel drive, ROPS frame, seatbelt, hydraulic tip, power steering, reversing alarm and towing eye.

Product Code	D6
Weight	4110kg
Height with Roll bar/ without	2910mm /2160mm
Length	4230mm
Width	2350mm
Load capacity	6000kg

10T DUMPER

The 10 tonne dumper is the largest wheeled dumper in our fleet with a massive 10 tonne payload and powerful turbo charged engine.

Product Code	D10
Weight	5139kg
Height with Roll bar/without	3246mm /2308mm
Length	4466mm
Width	2485mm
Load capacity	10000kg



3T SWIVEL DUMPER

The 3 tonne Power Swivel dumper has the same features as a standard dumper with the added benefit of a power swivel function which makes it ideal on jobs where turning space is limited. These dumpers would be ideal on highway jobs as the load can be directed through 180 degrees.

Product Code	SD3
Weight	2550kg
Height with Roll bar/without	2680mm /1860mm
Length	3850mm
Width	1860mm
Load capacity	3000kg



6T SWIVEL DUMPER

These machines have the same features as a standard 6 tonne dumper with the added benefit of a power swivel skip making them the perfect choice on jobs where space is limited. They are simply operated by a four way joystick control and all models are fitted with a ROPS frame, towing eye, reversing alarm and seatbelts.

Product Code	SD6
Weight	4270kg
Height with Roll bar/without	2910mm /2160mm
Length	4590mm
Width	2090mm
Load capacity	6000kg



3T TRACKED DUMPER
(3 DAY MIN HIRE)

These tracked dumpers are ideal for working in general construction on farms or where the area is environmentally sensitive and in recreational areas where damage to grass has to be kept to a minimum.

Tracked dumpers can climb steep inclines, cross muddy and boggy ground where normal 4 x 4 dumpers struggle or get stuck.

Product Code	TD3
Weight	2225kg
Height	2400mm
Length	3200mm
Width	1690mm
Load capacity	3000kg



5T TRACKED DUMPER
(3 DAY MIN HIRE)

Our tracked dumpers are ideal for use on all grounds: sand, soft and swampy areas and steep slopes. It is designed for safe and quick release of materials from the rear of the skip. These features combine to improve productivity, safety, and machine durability.

Product Code	TD5
Weight	5210kg
Height	2250mm
Length	4200mm
Width	2150mm
Load capacity	5000kg

BOBCAT SKID STEER
(3 DAY MIN HIRE)

This versatile loader gives the operator the best of both worlds. All the advantages of a vertical lift path loader, plus great visibility with the low-profile lift arm design.

Product Code	SS
Weight	1268kg
Height	1814mm
Length	2553mm
Width	901mm
Load capacity	343kg





**PEDESTRIAN
ROLLER 28"**
(1 WEEK MIN HIRE)

Designed for the compaction of granular and asphalt materials, Pedestrian Rollers provide class leading performance in the development of highway repair, footpaths, cycle lanes, playgrounds and landscaping environments.

Product Code	PR
Weight	470kg
Machine Length	2180mm
Machine Width	830mm
Machine Height	1300mm
Drum Width	710mm

**500MM FWD/REV
TRENCH PLATE**
(1 WEEK MIN HIRE)

New all-rounder for applications such as interlocking paving stones, service trenches, gardening and landscaping architecture as well as maintenance jobs. This extremely tough and easy to use plate features built-in wheels and an extra long fuel filler neck to reduce the risk of dirt getting into the fuel system.

Product Code	TP
Weight	160kg
Machine Width	400mm
Working Height (adjustable)	800-1143mm
Vibration Freq	90 Hz



RAMMAX TRENCH ROLLER
C/W REMOTE

Trench rollers, the so called "multi- purpose compactors", are transferring an enormous compaction output into cohesive soil types, such as clay. These soil types, that are very difficult to compact or show a high moisture content that can only be compacted by using extreme compaction energy and the additional kneading effect of the pad foot drums. However, many other types of material can also be compacted in a fast and effective way by these robust machines.

Product Code	TR830
Weight	1420kg
Machine Length	1850mm
Machine Width	630mm
Machine Height	1380mm
Drum Width	630mm



TV800 RIDE ON ROLLER

A spacious driver's platform, intuitive operation, perfect visibility, easy handling and the best sprinker system in its class, combine to give impressive performance capability.

Product Code	R8
Weight	1446kg
Machine Length	1860mm
Machine Width	870mm
Machine Height with ROPS	2400mm
Drum Width	800mm



TV1200 RIDE ON ROLLER

For earthwork and asphalt applications. New construction and repair work for medium and small scale construction projects, on parking lots, sidewalks, cycle paths, playing fields and sports grounds as well as rolling of joints in road construction.

Product Code	R120
Weight	2740kg
Machine Length	2375mm
Machine Width	1270mm
Machine Height with ROPS	2650mm
Drum Width	1200mm



138AD RIDE ON ROLLER

High compaction productivity is achieved via the powerful, well proven mass exciter system to deliver high dynamic force. Optimised balance between frequency and amplitude provides ultimate versatility in meeting all kinds of job site conditions.

Product Code	R140
Weight	4200kg
Machine Length	2600mm
Machine Width	1460mm
Machine Height with ROPS	2705mm
Drum Width	1380mm





AVANT WHEELED LOADERS	PRODUCT CODE
Avant 528	L5
Avant 630	L6
Bucket attachment	LBKT

B & W now has the Avant range of compact, versatile multi-function machines for hire. These high quality loaders are extremely compact but also strong enough to handle those heavy loads. It is suitable for construction, building and landscaping applications. The Avant's are supplied with forks as standard with the option of a bucket attachment if needed.



Model	AVANT 528
Length	2550 mm
Width (with 23x10.50-12 wheels)	1095 mm
Height	1980 mm
Weight	1150 + 170 kg
Standard wheels	23x10.50-12" grass/TR
Transmission, drive	hydrostatic
Pulling force	950 kp
Drive speed max.	12 km/h
Auxiliary hydraulics oil flow / pressure	36 l/min 200 bar
Turning radius inside/outside	995 / 2050 mm
Max. lifting height (with telescopic boom)	2790 mm
Max. lifting capacity (hydr.)	1500 kg
Tipping load	950 kg
Max. breakout force / 50 cm	1250 kg
Engine make and type	Kubota D1105
Engine output (ISO Gross)	21 kW (28 hp)
Fuel	Diesel

Model	AVANT 630
Length	2550 mm
Width (with 26x12.00-12 wheels)	1290 mm
Height	2090 mm
Weight	1350 kg
Standard wheels	26x12.00-12" grass/TR
Transmission, drive	hydrostatic
Auxiliary hydraulics oil flow / pressure	44 l/min 200 bar
Turning radius inside/outside	900 / 2190 mm
Max. lifting height (with telescopic boom)	2820 mm
Max. lifting capacity (hydr.)	1400 kg
Max. tipping load*	1100 kg
Max. breakout force / 50 cm	1250 kg
Engine make and type	Kubota D1105
Engine output (ISO Gross)	21 kW (28 hp)
Fuel	diesel

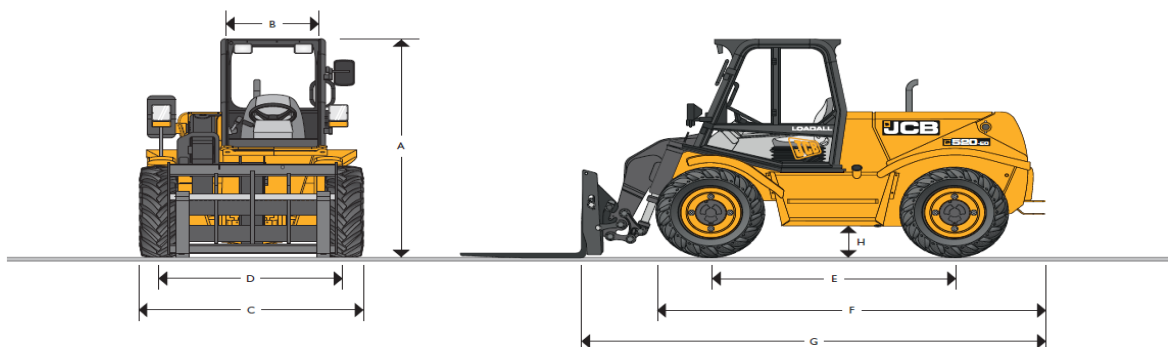
*with counterweights



<u>TELESCOPIC HANDLER RANGE</u>	<u>PRODUCT CODE</u>
6M (Buggie Scopic) - JCB 520-50	L6
7M Loadall - JCB 531-70	L7
10M Loadall - JCB 533-105	L10
12M Loadall - JCB 532-120	L12
14M Loadall - JCB 535-140	L14
17M Loadall - JCB 540-170	L17

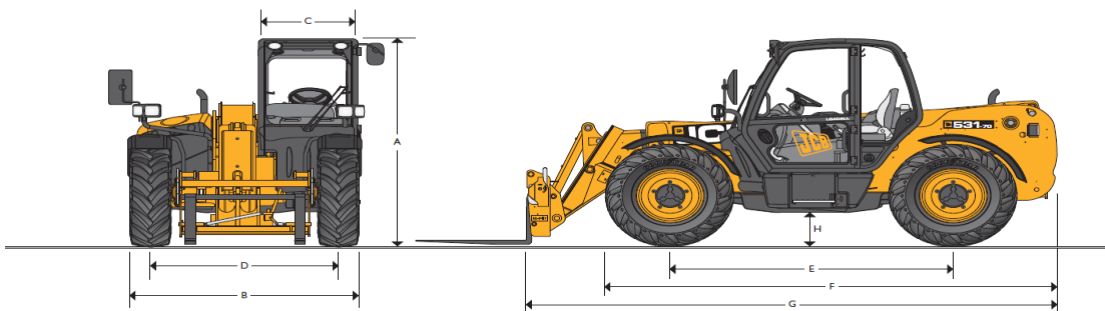
A telescopic handler, or telehandler, is a machine widely used in the agriculture and construction industry. It is similar in appearance and function to a forklift, with the increased versatility of a single telescopic boom that can extend forwards and upwards from the vehicle. On the end of the boom the operator can fit one of several attachments, such as a bucket, pallet forks, muck grab, or lift table.

6M (Buggie Scopic) Loadall - JCB 520-50 SPEC



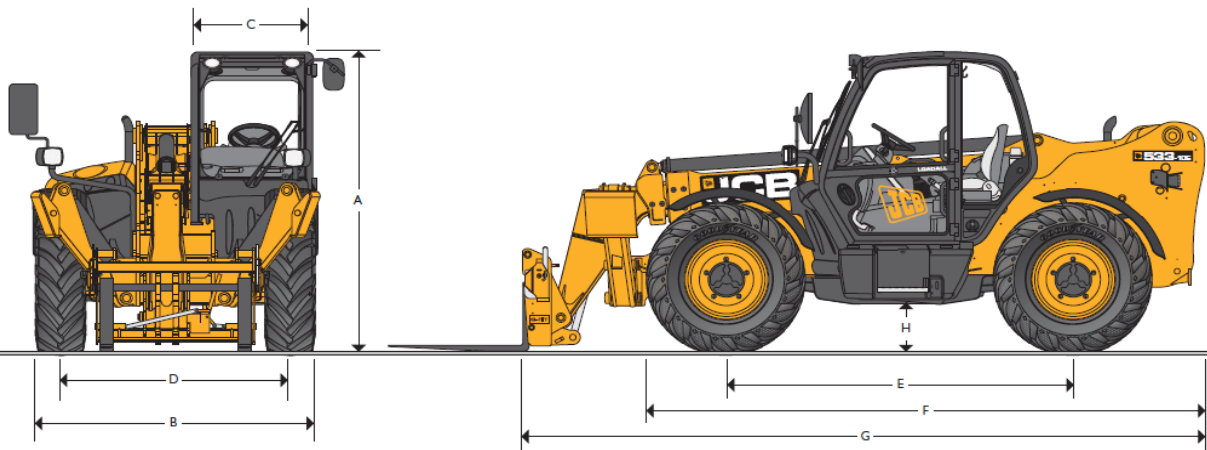
Machine Model	520-50	Machine Model	520-50
	M (fit-in)		M (fit-in)
Overall Height	2.12 (6-11)	Overall Length To Front of Carriage	3.59 (11-9)
Inside Width of Cab	0.80 (2-7)	Ground Clearance	0.30 (1-0)
Width Over Tyres (Min)	1.84 (6-0)	Outer Turn Radius Over Tyres	3.10 (10-2)
Front Track	1.53 (5-0)	Weight	KG (lb) 4870 (10736)
Wheel Base	2.00 (6-7)	Tyres	10.5/80x18 10PR
Overall Length To Front of Tyres	3.08 (10-1)		

7M Loadall - JCB 531-70 SPEC



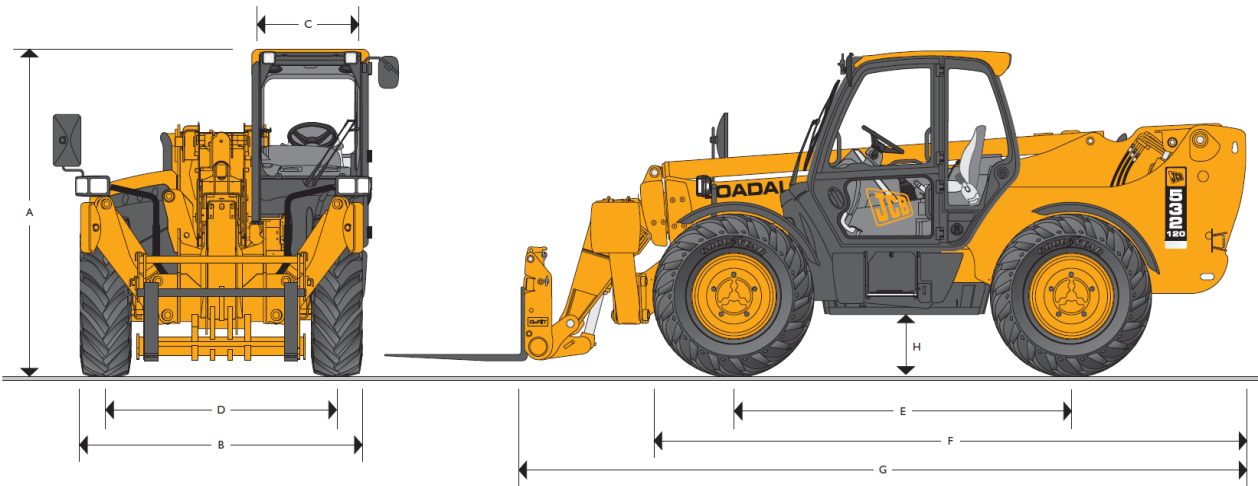
Machine Model	531-70	Machine Model	531-70
	M (fit-in)		M (fit-in)
Overall Height	2.49 (8-2)	Ground Clearance	0.40 (1-4)
Overall Width (Over Tyres)	2.23 (7-4)	Outside Turn Radius	3.7 (12-2)
Inside Width of Cab	0.94 (3-1)	Carriage Roll Back Angle	42.6 Degrees
Front Track	1.81 (5-11)	Carriage Dump Angle	37.5 Degrees
Wheel Base	2.75 (9-0)	Weight - Fixed	KG (lb) 7060 (15560)
Overall Length To Front Tyres	4.38 (14-4)	Tyres	15.5/80-24
Overall Length To Front Carriage	4.99 (16-4)		

10M Loadall - JCB 533-105 SPEC



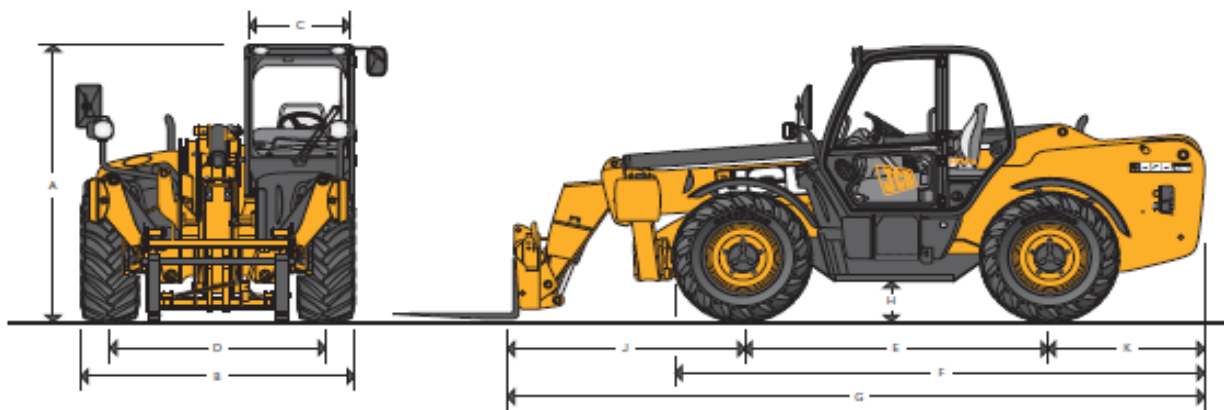
Machine Model	531-70	Machine Model	531-70
	M (fit-in)		M (fit-in)
Overall Height	2.49 (8-2)	Ground Clearance	0.4 (1-4)
Overall Width (Over Tyres)	2.29 (7-6)	Width Over Full Extended Stabilisers	2.63 (8-8)
Inside Width of Cab	0.94 (3-1)	Outside Turn Radius	3.7 (12-2)
Front Track	1.87 (6-1)	Carriage Roll Back Angle	41.2 Degrees
Wheel Base	2.75 (9-0)	Carriage Dump Angle	24.1 Degrees
Overall Length To Front Tyres	4.38 (14-4)	Weight - Fixed	KG (lb) 8850 (19506)
Overall Length To Front Carriage	5.38 (17-8)	Tyres	15.5/80-24

12M Loadall - JCB 532-120 SPEC



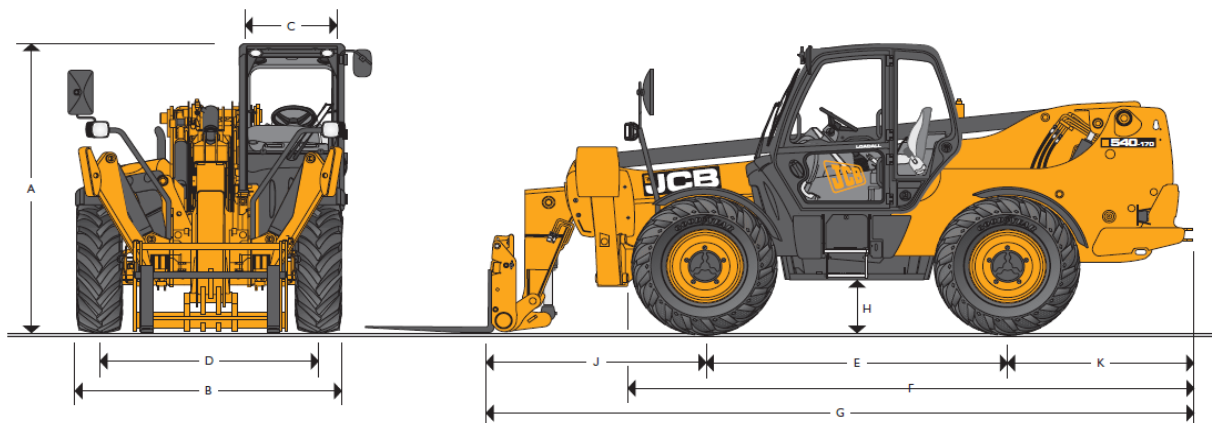
Machine Model	531-70	Machine Model	531-70
	M (fit-in)		M (fit-in)
Overall Height	2.59 (8-6)	Width Over Full Extended Stabilisers	2.73 (8-11)
Overall Width (Over Tyres)	2.35 (7-9)	Overall Length To Stabilisers – Retracted	5.39 (17-8)
Inside Width of Cab	0.94 (3-3)	Overall Length To Stabilisers – Extended	5.42 (17-10)
Front Track	1.90 (6-3)	Outside Turn Radius (Over Tyres)	4.0 (13-2)
Wheel Base	2.75 (9-0)	Departure Angle	35 Degrees
Overall Length To Front Tyres	4.83 (15-10)	Weight - Fixed	KG (lb) 9140 (20150)
Overall Length To Front Carriage	5.84 (19-2)	Tyres	15.5/80-24
Ground Clearance	0.40 (1-4)		

14M Loadall - JCB 535-140 SPEC



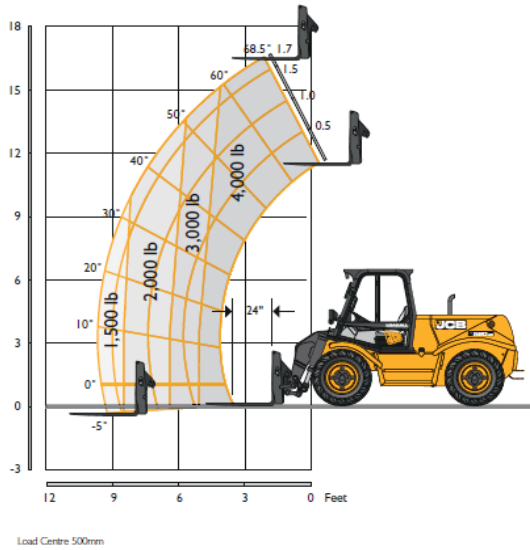
Machine Model	531-70	Machine Model	531-70
	M (fit-in)		M (fit-in)
Overall Height	2.59 (8-6)	Front Wheel Centre To Carriage	2.11 (6-11)
Overall Width (Over Tyres)	2.35 (7-9)	Rear Wheel Centre To Carriage	1.37 (4-6)
Inside Width of Cab	0.94 (3-1)	Overall Width With Stabilisers – Extended	2.57 (8-5)
Front Track	1.90 (6-3)	Outside Turn Radius (Over Tyres)	3.75 (12-4)
Wheel Base	2.75 (9-0)	Bucket Roll Back Angle @ Ground Level	37 Degrees
Overall Length To Front Tyres	4.74 (15-7)	Bucket Dump Angle – Boom Fully Raised	12.5 Degrees
Overall Length To Front Carriage	6.23 (20-5)	Weight - Fixed	KG (lb) 10880 (23986)
Ground Clearance	0.40 (1-4)	Tyres	15.5/80-24

17M Loadall - JCB 540-170 SPEC

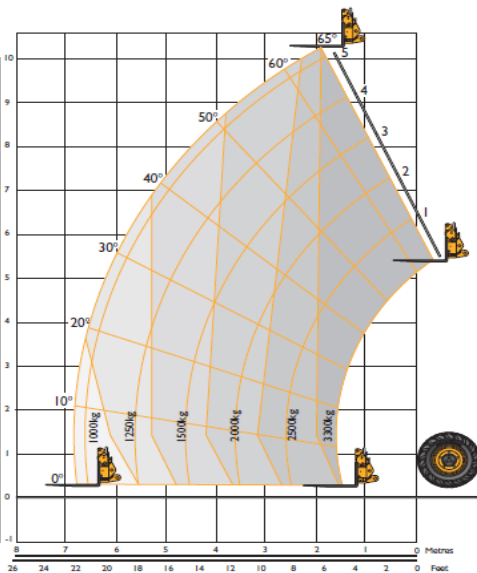


Machine Model	531-70	Machine Model	531-70
	M (fit-in)		M (fit-in)
Overall Height	2.69 (8-10)	Front Wheel Centre To Carriage	1.94 (6-4)
Overall Width (Over Tyres)	2.44 (8-0)	Rear Wheel Centre To Carriage	1.67 (5-5)
Inside Width of Cab	0.94 (3-1)	Overall Width With Stabilisers – Extended	3.55 (11-8)
Front Track	1.90 (6-3)	Outside Turn Radius (Over Tyres)	4.1 (13-5)
Wheel Base	2.75 (9-0)	Bucket Roll Back Angle @ Ground Level	39 Degrees
Overall Length To Front Tyres	5.08 (16-8)	Bucket Dump Angle – Boom Fully Raised	8.8 Degrees
Overall Length To Front Carriage	6.36 (20-10)	Weight - Fixed	KG (lb) 12060 (26586)
Ground Clearance	0.40 (1-4)	Tyres	15.5/80-24

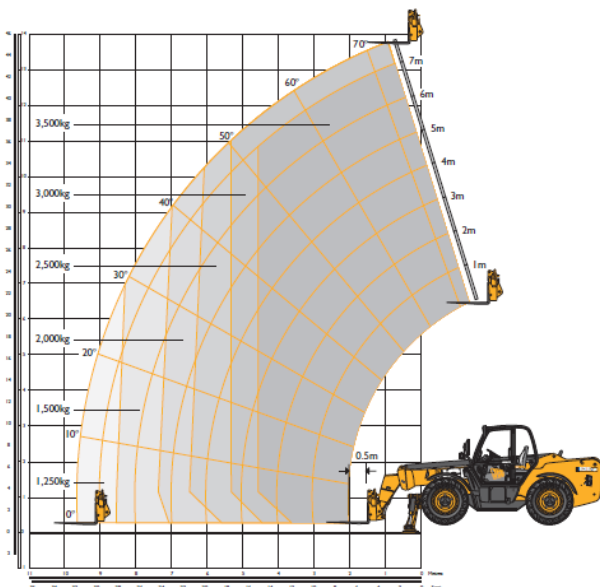
6M (Buggie Scopic) Loadall - JCB 520-50



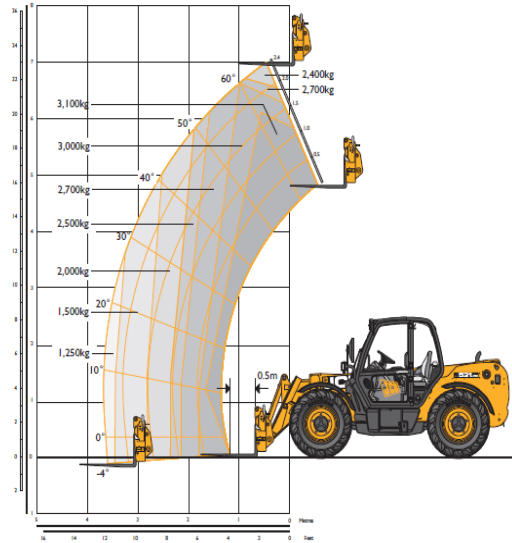
10M Loadall - JCB 533-105



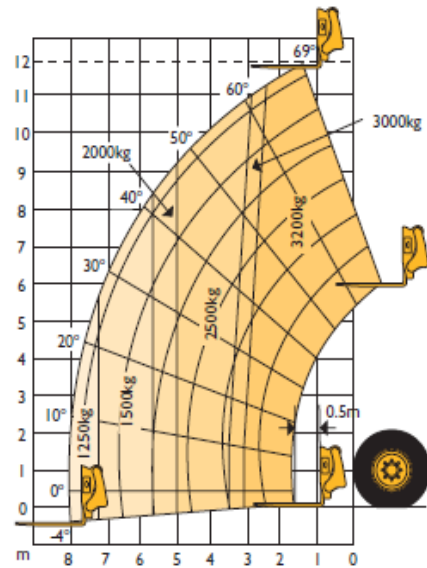
14M Loadall - JCB 535-140



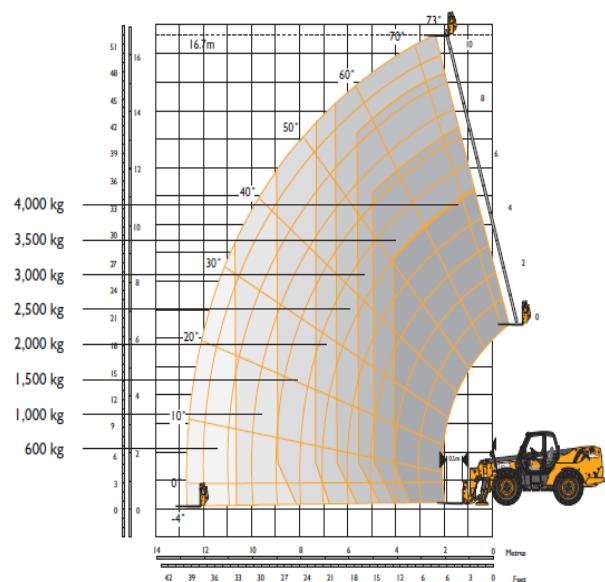
7M Loadall - JCB 531-70



12M Loadall - JCB 532-120



17M Loadall - JCB 540-170



WASHER BOWSER

Product Code - DWB

When electric and water mains supply is not available, the washer bowser solves your problem. Fitted with electric start diesel Engine and the pressure washer 2200 psi cold water is fed straight from the bowser tank.



250 GALLON WATER BOWSER

Product Code - WB

Heavy duty, moulded polyethylene water bowser mounted on a galvanised road tow chassis. Internal moulded baffle and aerodynamic design for safe towing. Please note we are unable to deliver full.



500 GALLON BUNDED FUEL BOWSER **c/w PUMP (Static/Wheeled)**

Product Code - 500DB

Storing diesel is a dangerous business. Bunded fuel bowzers are the only option when it comes to safety. Being "bunded" means that there are two tanks - a bowser within a bowser. This means that if the inner tank cracks, any leaking diesel will fill the empty space between the two tanks. This minimises the risk of environmental issues and accident ignition.



Minimum hire 3 days unless stated otherwise. All of our equipment is hired under CPA terms and conditions of which a copy is available on request. All machines come with Yearly Test Certificates on request.



BRICK GRABS

Product Code - BG

These grabs can be used to lift all standard brick and block packs. They can be used along with excavators, cranes and forklift trucks. We recommend use of a spillage net when using block grabs.

5.3 1/2 MIXER ELECTRIC START

Product Code - CM5/3

Robust site mixer for larger batches of concrete and mortar. Extra heavy duty and robust chassis designed to withstand the worst site conditions. An extra rigid and reinforced drum to prevent distortion. A foot operated tip lock and large tip wheel for added safety and control with large mixes.



ROAD PLATE

(8 X 4 & 4 X 4)

Product Code - RP

Steel plate which provides support to vehicles and plant crossing excavations - (Various sizes and thicknesses available).



Minimum hire 3 days unless stated otherwise. All of our equipment is hired under CPA terms and conditions of which a copy is available on request. All machines come with Yearly Test Certificates on request.

JCB 2CX TRACK AIR

Product Code - TA

The popular choice for road contractors, utility contractors and local authorities, the JCB 2CX Airmaster is a truly versatile front loader with twin axle steering, fitted with a two tool compressor at the rear. Two low vibration breakers complete with points and chisels are also supplied.



1 TOOL COMPRESSOR

incl 1 hose

(1 week min)

Product code - C1

For fast and efficient supply of compressed air to power pneumatic tools and equipment at remote sites, road work programmes or early installation stage.



2 TOOL COMPRESSOR

incl 2 hose

(1 week min)

Product Code - C2

AIR BREAKERS / HOSES

Heavy Air Breaker

SK10 Air Breaker

CP9 Air Breaker

Air Hose Extra

All Available On Request



Minimum hire 3 days unless stated otherwise. All of our equipment is hired under CPA terms and conditions of which a copy is available on request. All machines come with Yearly Test Certificates on request.

Trenching - Drag Boxes



<u>Item</u>	<u>Weight (kg)</u>	<u>Clearance under rear strut (mm)</u>	<u>Weekly hire rate Inc struts (£)</u>	<u>Suitable Excavator</u>
<u>Mini Base Unit (3.0m x 2.0m) – 800mm Internal - MDBKL8</u>	1826	1200	80.00	Min 7T
<u>Mini Base Unit (3.0m x 2.0m) – 1000mm Internal - MDBKL1</u>	1866	1200	85.00	Min 10T
<u>Mini Base Unit (3.0m x 2.0m) – 1500mm Internal - MDBK15</u>	1896	1200	90.00	Min 10T
<u>5.1m x 2.5m Base Unit – 800mm Internal - DBKL800</u>	3762	1480	110.00	Min 20T
<u>5.1m x 2.5m Base Unit – 1000mm Internal - DBKL1000</u>	3806	1480	115.00	Min 20T
<u>5.1m x 2.5m Base Unit – 1500mm Internal - DBKL1500</u>	3966	1480	120.00	Min 20T
<u>5.1m x 2.5m Base Unit – 2000mm Internal - DBKL2000</u>	4205	1480	130.00	Min 20T
<u>5.1m x 1.5m Top Unit – 800mm Internal - DBKU800</u>	1754	650	90.00	Min 20T
<u>5.1m x 1.5m Top Unit – 1000mm Internal - DBKU1000</u>	1794	650	95.00	Min 20T
<u>5.1m x 1.5m Top Unit – 1500mm Internal - DBKU1500</u>	1823	650	95.00	Min 20T
<u>5.1m x 1.5m Top Unit – 2000mm Internal - DBKU2000</u>	1983	650	100.00	Min 20T
<u>Extra struts – Mini box & Drag box - STRUTE</u>			£3m per wk	

All trenching equipment has a two week minimum hire charge.

MANHOLE BOXES—Price includes struts

<u>Item</u>	<u>Height (mm)</u>	<u>Weight (kg)</u>	<u>Clearance between struts (mm)</u>	<u>Ring Size</u>	<u>Weekly Hire Rate Inc struts (£)</u>	<u>Suitable Excavator</u>
<u>2.5m Light Weight - MMHB</u>	2500	1000	2150	Suitable for ring sizes – 1050,1200 & 1500mm	90	Min 7T
<u>2.5m Base Unit - MHBL2</u>	2500	2138	2150	Suitable for ring sizes – 1050,1200 & 1500mm	115.00	Min 13T
<u>2.5m Top Unit - MHBU2</u>	1000	1424	2150		68.00	Min 13T
<u>3.5m Base Unit - MHBL3</u>	2500	2630	3100	Suitable for ring sizes – 1350,1500 & 1800mm	145.00	Min 20T
<u>3.5m Top Unit - MHBU3</u>	1500	1754	3100		98.00	Min 20T

MANHOLE SHUTTERS

1800mm High Manhole Shutters (Plastic)

Note – Polypropylene shutters have a self cleaning property which prevents concrete sticking to them. This enables them to be used more frequently without labour cleaning charges. They are also more durable than steel panels which reduce repair/replacement charges.

<u>Panel</u>	<u>Weight (kg)</u>	<u>Width (mm)</u>	<u>Height (mm)</u>	<u>W Hire Rate (£)</u>
<u>Type A - TYPEAX</u>	20	1276	1800	£15.50 each
<u>Type B - TYPE BX</u>	21	1030	1800	£11.50 each

PANEL COMBINATIONS

<u>Internal Diameter of Manhole (mm)</u>	<u>Manhole wall Thickness (mm)</u>	<u>1800mm Panel</u>		<u>Weekly Hire Rate per Kit (£)</u>
		<u>A</u>	<u>B</u>	
<u>MHS - 675</u>	65	2	1	45.00
<u>MHS- 900</u>	75	1	3	56.50
<u>MHS - 1050</u>	85	3	1	58.50
<u>MHS- 1200</u>	100	1	4	68.00
<u>MHS -1350</u>	112	3	2	69.00
<u>MHS -1500</u>	115	5	-	72.00
<u>MHS - 1800</u>	115	5	1	83.00
<u>MHS - 2100</u>	120	5	2	85.00
<u>MHS - 2400</u>	135	5	3	109.00
<u>MHS - 2700</u>	162	5	4	120.00
<u>MHS - 3000</u>	190	5	5	130.00

All trenching equipment has a two week minimum hire charge.



EDGE PROTECTION

<u>Manholes Box - EPK</u>	2.5m Section	£10.00 per wk
<u>Drag Box - EPK</u>	2.5m Section	£10.00 per wk

TRENCH SHEETS

<u>Item</u>	<u>Dimensions</u>	<u>Weekly Hire Rate (£)</u>
<u>British Standard Sheet - TSS</u>	3M	£2.00 per meter
<u>British Standard Sheet - TSS4</u>	4M	£2.50 per meter
<u>British Standard Sheet - TSS5</u>	5M	£3.00 per meter

ANCILLARY EQUIPMENT

<u>Item</u>	<u>Weekly Hire Rate (£)</u>
Driving Cap - TSD	£8.00
Sheet Extractor - TSE	£19.50
“D” Shackle - CSH	Sale Item - POA
Snatch Chain - CSN	Sale Item - POA
Fall Arrest & Recovery Winch - FAS	£40.00

All trenching equipment has a two week minimum hire charge.



HEAD OFFICE & BLACKBURN DEPOT

Brandy House Brow, Blackburn, Lancashire BB2 3EY

KEIGHLEY DEPOT

Admiral Way, Off Lawkholme Lane, Keighley, West Yorkshire
BD21 3LN

NORTHWICH DEPOT

61 Manchester Rd, Northwich Cheshire CW9 5ND

SOUTHAMPTON DEPOT

Station Works, Duncan Road, Park Gate, Southampton, SO31 1BX

SEE WHAT OUR CUSTOMERS SAY ABOUT US:

Matthew Tinker
ACS Construction Ltd.
Cheshire



“ACS have been using B & W Plant Hire for the last 8 years. The equipment we have had has always been in excellent condition and at competitive rates. Their customer relations are very good, this together with the prompt reliable service makes them the ideal plant and tool equipment supplier.”

Keith Marsh
John Reilly Civil Engineering Ltd.
Euxton, Lancashire



“B & W have been sole plant supplier to John Reilly Civil Engineering Ltd for over 15 years. During this time the quality of Plant and Service has been exceptional and second to none; this has contributed to the success of John Reilly CE, and has given us the confidence to generate new contracts. B & W are very Health and Safety conscious and proactive when new regulations are introduced.”

Brian Turner
BCT Services (South) Ltd.
Hampshire



“B&W plant hire supply BCT Services with Excavators, Dumpers, and Rollers. Their service is very good. We have used B&W for a few years now and will continue to do so based on service we receive from them. Their plant is always of a good standard and should a break down occur they react quickly with fitters to rectify problems.”

Phil Woolland
Hawkspear Contracts Ltd.
Liverpool



“We have been trading with B&W plant for the last four years. During this time their professional attitude and competitive pricing means that they are always our 1st call for any of the following:

1. Good quality self-drive machines of all sizes and types.
2. Operated plant with experienced operators with good knowledge of the construction trade.
3. Suitably located depots to assist with our ever demanding transport requirements with short term hire situations & national work load.

We all at Hawkspear look forward to continuing this great working relationship over the coming years.”

John Henderson
B38 Projects Ltd.
Wakefield



“We have used B&W over the past two years on all our jobs across the North of England, we find the service they provide is excellent, and always keen to help out when you are in a tight spot! I would recommend B&W to any plant hire user.”

SEE WHAT OUR CUSTOMERS SAY ABOUT US:

Mark Lawson
Oaklands Construction Ltd.
Leeds



“B&W are an invaluable first tier supplier to Oaklands Construction and our first choice in hired plant solutions. They have worked closely with our business since 2011 and truly understand our requirement for a responsive yet high quality plant hire solution. B&W define great value for money, whilst consistently offering added value within their service provision. We partner B&W across the majority of our projects as the machinery supplied is always well maintained, certified and on the rare occasion we encounter breakdowns a fitter is never more than phone call away. B&W win our work through remarkable service, fair damage and fuel charges and by going the extra mile to ensure many risks associated with plant on site is minimised. We recommend them highly.”

Les Connolly
WPI Group Ltd.
Middlewich, Cheshire



“WPI Group have used B & W for many years for our Civil engineering and Surfacing divisions. They have the equipment we need and can deliver on time as requested. B & W staff have great plant knowledge and are always willing to help. We have a good relationship and will continue to work together in the future.”

Tony Quinn
Barnfield Construction Ltd.
Nelson



“We at Barnfield Construction Ltd have been a customer of B&W Plant hire for many years now, during which time we found the Company and its staff to be co-operative and most helpful. For all your plant requirements big or small contact B&W Plant Hire.”

Ian McLaughlin
Adana Construction Ltd.
Stockport



“B & W Plant Hire has a diverse range of quality equipment supplied at competitive rates that has not only helped us to maintain a competitive edge it has also assisted us in expanding our business. At Adana Construction we pride ourselves on commitment to clients, delivering quality construction on time, safely and within budget. To provide this level of service we rely heavily on B & W Plant Hire to supply us with all the necessary equipment to undertake construction works.”

Gino Gomes
Kamm Civil Engineering Ltd.
Verwood, Dorset



“We have been using B&W plant hire for the last 8 years. Their equipment is always in excellent condition and their service is outstanding with competitive rates. That is what makes them the ideal plant equipment supplier.”



CPA-

“The UK plant hire industry is the best established and most professional in the world, and is worth over £4 billion to the UK economy. The Construction Plant-hire Association (CPA) is the leading trade association for this sector in the UK and CPA Members supply 85% of hired plant to the construction industry.”

For the full CPA terms and conditions see our website: www.bandwplanthire.com

Ref: <http://www.cpa.uk.net/>

Safe Hire & CHAS-

“This standard has been developed by HAE EHA for the hire and rental industry with the assistance of BSI. It demonstrates the association’s commitment to guiding organisations to achieve higher standards and constantly improve their service delivery levels whilst adopting core business principles relevant to all organisations.”

Ref: <http://www.safehire.org.uk/>

B&W Plant Hire reference number: 01162.



HAE-

“HAE assists businesses, from sole traders to larger independent and privately owned organisations, by providing operational resources to support the hire industry. Membership provides access to products and services covering all aspects of hire, including terms & conditions, safety checks, publicity, equipment, responsibilities and general day-to-day requirements.”

Ref: <http://www.hae.org.uk/>

B&W Plant Hire reference number: 55463.



B & W Plant Hire and Sales Ltd - Application Form

Full Company Name	
Registration Number	
Trading Address	
Contact Name Position	
Tel/Fax Number	
Email <u>(to receive Invoices)</u>	
Website	

Trade References - excludes all other Plant Hire Companies

Name	Address Inc Postcode	Tel/Fax Number

Directors and Partners

Full Name	Position

Amount of Credit Required : £

All equipment is hired under terms and conditions of C.P.A (copies on request)

I agree to the terms and conditions of C.P.A

This must be signed by a director, partner or proprietor of the business.

Sign

Print.....

Please see overleaf to complete account application form

Please provide a copy of Hired in Plant insurance

Details to include:

Name
Insurance Broker
Tel/Fax Number
Sum Insured For

How did you find out about us?

Yellow Pages
Yell.com
Website
Business Page
Recommended by whom
Other, Please state

Bank Details:

Bank Name:

Address:

Account Number:

Sort Code:

Account Name:

Please fax over both sides of the account form and plant insurance or post to the relevant depot below.

Blackburn Depot
Brandy House Brow
Blackburn
Lancashire
BB2 3EY
Telephone: 01254 54294
Fax: 01254 581260

Keighley Depot
Admiral Way
Off Lawkholme Lane
Keighley
West Yorkshire
BD21 3LN
Telephone: 01535 663337
Fax: 01535 665110

Southampton Depot
Duncan Rd Park Gate
Southampton
Hampshire
SO31 1BX
Telephone: 02380 696080
Fax: 02380 696081

Northwich Depot
61 Manchester Rd
Northwich
Cheshire
CW9 5ND
Telephone: 01606 43916
Fax: 01606 352115

Notes

Notes

Notes

B & W PLANT HIRE AND SALES LTD



Head Office/
Blackburn Depot:
Brand House Brow,
Blackburn,
BB2 3EY.

Keighley Depot:
Admiral Way,
Keighley,
West Yorkshire,
BD21 3LN.



Southampton Depot:
Station Works,
Duncan Road,
Park Gate, Southampton,
SO31 1BX.

Northwich Depot:
61 Manchester Rd,
Northwich,
Cheshire,
CW9 5ND.

