

innovo

Design Group



Teacher Wall Ideas & Inspiration

An Introduction to Innova's Teacher Walls



Are you tired of dealing with cramped classrooms and cluttered environments?

Innova offers a well-established modular space saving solution that will transform your teaching space into an organised and efficient learning environment. Introducing Innova's Teacher Walls a comprehensive classroom storage and workspace solution that integrates your teaching resources.

Featuring intelligent designs, compatible with any smartboard or digital display as well as customisable modular storage furniture, our Teacher Wall is suitable for any learning space including general classrooms, Laboratories, Food technology rooms, Technology spaces, Music rooms and beyond.



Regardless of whether it's a spacious new build or a refurbishment– Innova specialises in converting any classroom into a structured, organised learning space, making the most of every inch available.

Our team of experts will collaborate with you to maximise your available space, seamlessly incorporating whiteboards, interactive screens and additional storage, resulting in an uncluttered versatile environment that maintains the focus of young minds on the task at hand.



According to the clever classrooms research conducted by the University of Salford, a well-designed classroom can boost academic performance of students by 25%.

A storage and teaching wall not only serves as an engaging centre piece but also accommodates equipment, stationery and teaching resources. This arrangement enhances student focus, fostering an environment conducive to learning and gradual development of skills.

Source: University of Salford, Clevar Classrooms.

Teacher or storage wall features and benefits:

- ▶ **Customisable:** Tailor Innova's teacher walls to your exact needs, including size, layout and colour, creating a space that reflects your teaching style.
- ▶ **Optimise classroom space:** Our teacher walls maximise classroom space with their compact design, optimising your layout efficiency.
- ▶ **Ample storage & organisation:** Experience a dedicated centralised workspace with ample storage options to keep your teaching materials, stationery and equipment neatly organised.
- ▶ **Integrate technology:** Integrate interactive screens, AV equipment and sliding whiteboard with concealed sections, to deliver visually engaging lessons that captivate students.
- ▶ **Concealed Power Cables and Services:** Eliminate cable clutter effortlessly! Our system conceals power cables and services whilst ensuring easy access.
- ▶ **Adaptability & cost savings:** As teaching methods evolve, teacher walls can adapt to new technologies. eliminating the need for additional furniture pieces, saving you money.

Teacher Walls are holistic solutions that transforms traditional classrooms into dynamic and efficient learning spaces.

With their diverse features and benefits, they elevate the teaching and learning experience for both educators and students alike.



Products and configurations

Explore a world of possibilities through our extensive range of furniture selections, array of dimensions and spectrum of colours. Collaborate with our design team to create a personalised solution that aligns to your classroom requirements.

Typical configurations:



3m Teacher Wall

- Sliding whiteboard doors
- Gratnell trays
- Low double door cupboard with draw above
- Space for IWB or screen



4m Teacher Wall

- Sliding whiteboard doors
- Gratnell trays
- Double door cupboards
- Space for IWB or screen



5m Teacher Wall

- Sliding whiteboard doors
- Gratnell trays can be incorporated
- Double door cupboards
- Space for IWB or screen
- Tall open units



6m Teacher Wall

- Sliding whiteboard doors
- Gratnell trays
- Double door cupboards with draw above
- Space for IWB or screen
- Tall units & tall open units
- Intergrated teacher's desk



7m Science Wall

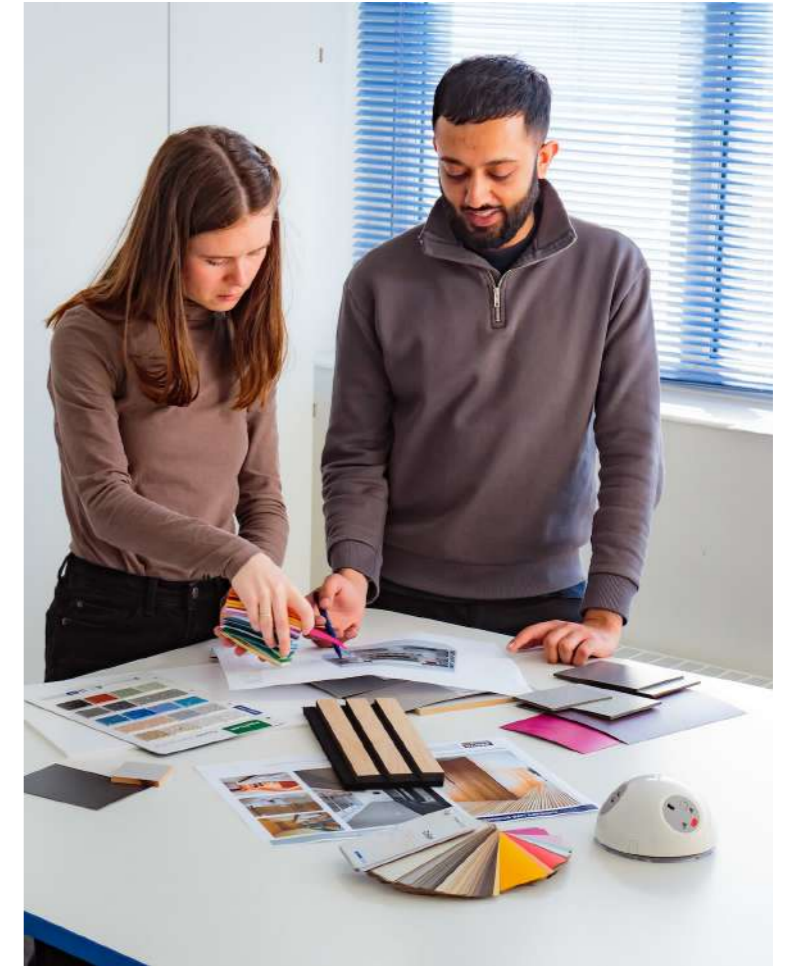
- Open units
- Double door base units
- Openings for sinks & gas
- Panel mounted gas & electrics
- High units

Materials & Finishes

Choose from a variety of colours to create an inviting and motivating classroom environment.

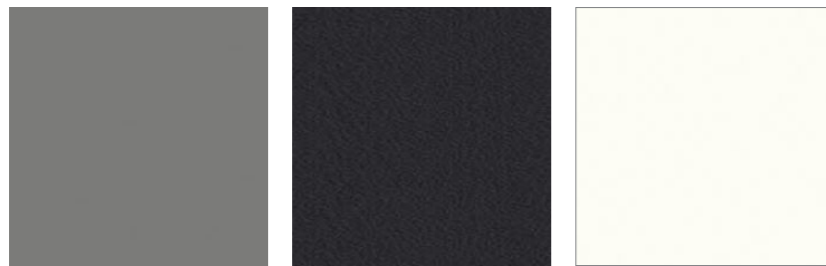
Select cupboard doors fabricated from MFC and MFMDf materials and tailor them with Inset or D handles with soft close mechanisms. Optional locks are also available to match your practical requirements and style preferences.

Rest assured quality is at the heart of everything we do - in our work, the materials we use, and in every little detail. Our products are skilfully designed and built to last requiring minimal maintenance and providing genuine value for your money.



Standard Finishes

Colour Options - Doors & Panels



Dust Grey
U732 ST9 Egger

Graphite Grey
U961 ST2 Egger

Premium White
W1000 ST9 Egger



China Red
U321 ST9 Egger

Flame
7176 Kronospan

Goldfish Orange
0U279/BST Unilin

Sunshine
0U136/BST Unilin

Lemon
0U285/BST Unilin

Mamba Green
7190 Kronospan

Fresh Green
0U143/BST Unilin

Oxide Green
9561 Kronospan

Fir Green
U699 Egger

Lichen Green
0U817/BST Unilin



Reed Green
U604 Egger

Frozen Blue
0U647/BST Unilin

Denim Blue
U540 ST9 Egger

Smoke Blue
U507 ST9 Egger

Alby Blue
5994 Kronospan

Azure Blue
K517 Kronospan

Royal Blue
0125 Kronospan

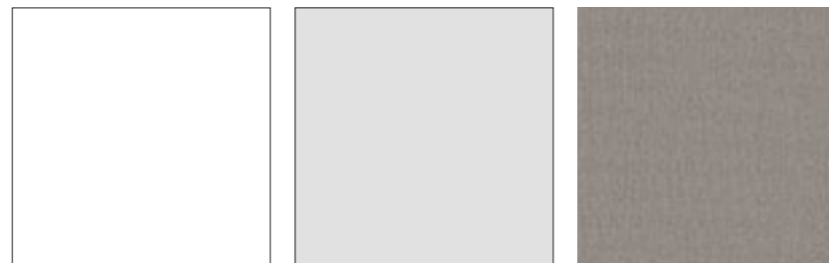
Warm Indigo
0U813/BST Unilin

Light Lavender
0U816/BST Unilin

Purple Jam
0U140/BST Unilin

Carcase (Also available for
Doors & Panels)

Plinth



White
K101 Kronospan

Stone Grey
U112 Kronospan

Brushed
Aluminium

Matching & Contrasting Edgings available for Door & Panel finishes
subject to availability.

Please consider that the images are only a digital representation of
the actual product actual finishes may differ slightly.

Physical samples available on request.

Furniture options

Innova's onsite manufacturing capability, empowers us to customise products, uphold quality, control, manage costs, maintain flexibility and our utmost priority is to deliver teacher wall solutions that perfectly align with your vision.



Sliding dry wipe boards



Tall open unit



Double door base unit



Top-line drawer unit



Open base unit



Base drawer unit



Teacher desk



Tall double door unit



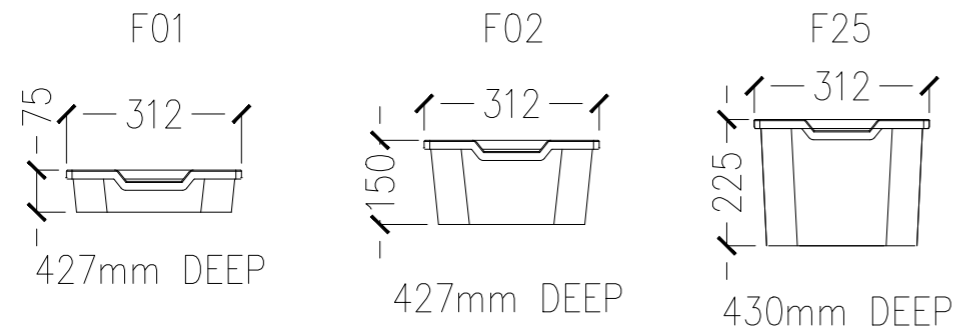
Gratnell base unit



Intergrated sink unit

Product Features

Gratnell trays in various sizes & colours



Accent edging



Lockable units



Vinyl graphics for doors



Hinges, sliding doors & Inset Handles



Case Studies

Visit Innova's website www.innovadesigngroup.co.uk to view our case studies.



Stockport College, Teacher Wall



Dulwich Prep School, Teacher Wall



Salford City College, Art Wall



Stockport College, Teacher Wall

A fully integrated solution

Design: Manufacture: Install

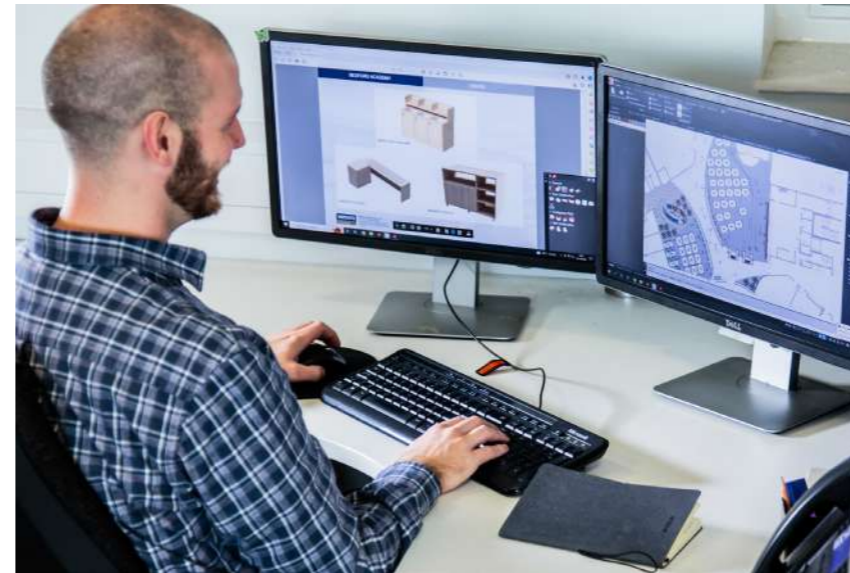
Planning & FREE Design Service:

At Innova we have the flexibility to work in a number of ways – directly with you, in conjunction with your chosen consultants and main contractors or through an agency or architect.

Our highly experienced designers and project managers will transform your vision into a design for a storage solution that's inspiring, practical and cost-effective.

British Manufacture:

Innova's Teacher Walls are manufactured with precision and care using high-quality materials. Our advanced manufacturing process coupled with ISO 9001:2015 certification ensures exceptional durability and longevity of our teacher wall solutions.



One stop hassle-free Installations:

At the consultation stage, you also have the flexibility to opt for a furniture only installation or a turnkey construction solution. This includes design, manufacture, minor building works, electrical provision, flooring, furniture install, decoration and more...

Our team of expert installers will skilfully bring your vision to life, guaranteeing a smooth hassle-free installation.

FAQ's

Can I customise the system to fit my classroom's unique layout?

Absolutely! Our design team will work closely with you to create a tailor-made solution that maximises your available space.

How does the sliding whiteboard feature work?

The sliding whiteboard doors glide to reveal a hidden section, allowing you to instantly switch between teaching materials and interactive whiteboard sessions.

Are the power cables and services easily accessible?

Yes, they are discreetly hidden behind removable panels within the Innova's Teacher Walls, ensuring a tidy and professional classroom appearance.

Can I use my existing interactive white board or screen, or do I need a new one?

We can re-fit your existing board or screen and also provide you with access to the cables so your IT team can easily change the board in the future.

What about the pipes, radiators and cable trunking on the wall?

We can build in, or build around, any services that are there already, fitting access panels and ports to allow you to access whatever service you require for computers, charging points etc.

How long does it take to fit?

A smaller installation can be completed in a day, even with sinks and other service alterations it is rarely more than 2 days.

What does it cost?

The cost of a teaching wall varies considerably dependent on the size of the wall and your requirements. Just send us a picture, your brief and sizes of the room and we will provide you with a budget cost.

Transform your teaching space into a haven of inspiration and efficiency with Innova's Teacher Walls.

Want to learn more?

To get started, contact our dedicated team at hello@innovadesigngroup.co.uk or call us on 0161 477 5300.